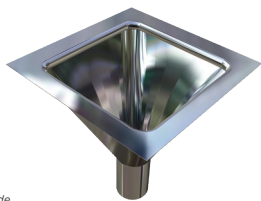


# Inset Flushing Sink



**FLI1**  
Rectangular Bowl

**FLI1**  
**FLI2**



**FLI2**  
Conical Bowl

Scan QR code to view our installation notes



### To order this item please advise:

- Bowl shape: square (FLI1) or conical (FLI2)
- Bowl size: 400x400, 350mm Dia. or custom
- Waste size: 50mm 100mm or custom
- Grade of stainless: 304 or 316

### Product Info:

- Hygienically disposes liquid & solid waste
- Concealed internal flushing bowl rim
- Suits mounting in bench top (by others)
- Manufactured to custom sizes
- Choice of conical or square bowl

### FLI 1 RECTANGULAR Bowl Sizes

350 x 350

450 x 450

550 x 550

650 x 500

custom-consult BRITEX

### FLI 2 CONICAL Bowl Sizes

Ø300

Ø350

Ø400

Ø450

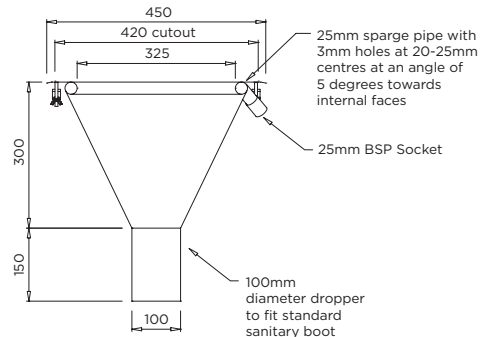
Ø500

custom-consult BRITEX

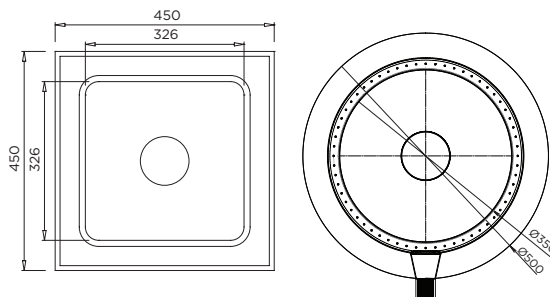
\* For suggested tapware please see previous page FLF

## INSTALLATION NOTES

1) Water connection for bowl is located below bench top. 2) Water supply to 25mm BSP connection on flushing bowl should be minimum 3/4" and 250kPa (500kPa max) to ensure bowl flushes solid waste adequately. (1/2" for liquid waste only) 3) Where 100mm outlet is requested, a 101mm OD stainless tube dropper waste is supplied for connection to trap as specified by consultant (not supplied). 4) Cut out size for bowl is 20mm less than overall dimension (including flange), which leaves a 10mm overhang for mounting on bench top. 5) Fixing clips are tightened to locate and secure integral studs to the inside of the cutout. 6) A silicon sealant or adhesive tape can be applied to the underside perimeter of flange for additional sealing and securing.

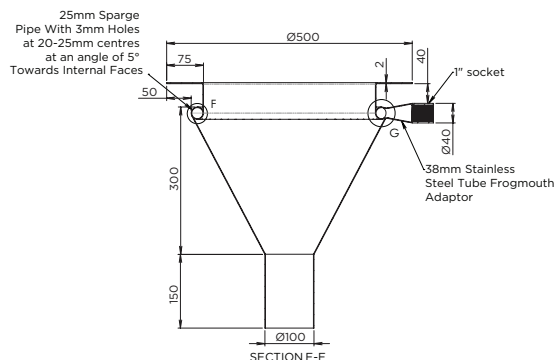


**FLI1**



**FLI1**

**FLI2**



**FLI2**