

CJU



Scan QR code to view our installation notes

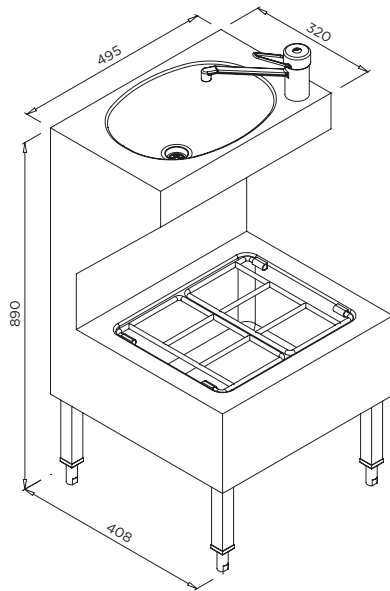


Product Info:

- Multipurpose, space saving design
- Integral wash basin and bucket sink
- Stainless hinges bucket grates
- 40mm waste and adjustable feet supplied
- Fully welded seamless construction
- Suits (optional) swivel mixer tap
- Commercial grade 304 S.S.

To order this item please advise:

- Tapware and tap hole details (if required)



INSTALLATION NOTES

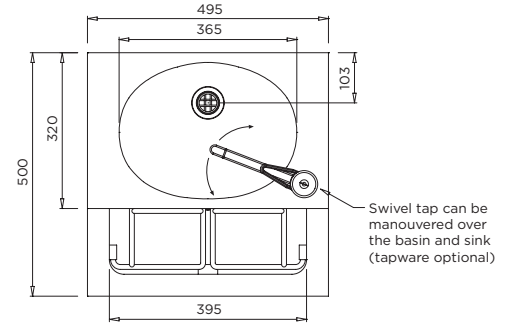
- 1) Set out waste in appropriate position
- 2) Set out water supply in appropriate position.
- 3) Place unit in position, level and secure.
- 4) Connect services, flush lines and test.

Suggested Tapware:

(see Tapware Section: 11 for complete range of options)



TW-MIX-02
Basin Mounted
Flick Mixer -
Swivel



Optional Tapware Shown for indicative purposes only

