

Wall Mounted Cleaner's Bench

CCB



Scan QR code
to view our
installation notes

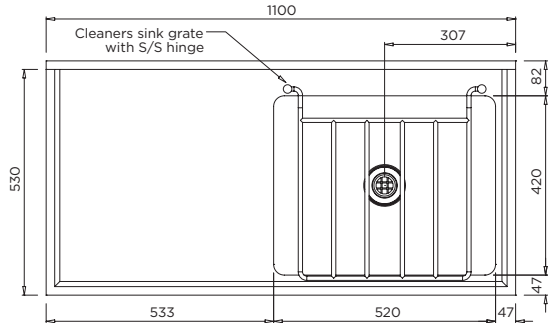


To order this item please advise:

- Product dimensions required
- Grade of stainless: 304 or 316
- Left or right hand bowl
- Any required design variations

Product Info:

- OH&S Friendly Design
- Stainless steel hinged bucket grate
- Extra large 54L bowl capacity
- Integral drainer area / storage space
- 50mm waste and support legs supplied
- Fully welded seamless construction
- Commercial grade 304 S.S.



INSTALLATION NOTES

- 1) Fixture strength is ultimately determined by the load capacity of the supporting structure (noggin recommended for stud wall construction) and use of appropriate fixings (i.e. sleeve anchors for masonry walls).
- 2) Bench is mounted to wall via two integrated fixing tags at the back of the bench.
- 3) Additional front support legs that fix to the underside of the bench are adjustable by rotating feet.
- 4) Feet can be fixed in position via fixing holes in stainless discs.
- 5) An additional offset bracket for positioning behind splashback can be supplied by request.

