

CONICAL FLUSHING SINK



WaterMark
WM-022885
WMTS 525
BRITEX.LDUS-A, LDUS-B, FLF2
Match with Zum Flush Valve ZH-6152XL
4.5L



Scan QR code
to view online



Image shows Model FLF 2 Flushing Sink with Conical Bowl

features and benefits

- 1.2mm grade 304 or 316 S.S.
- Quickly & hygienically disposes of liquid and solid waste
- Concealed internal flushing rim
- All internal bowl surfaces are flushed
- Made to custom specifications
- Suits mounting on joinery
- Available in a 'Dirty Utility Sink' configuration - see LDUS: p 9.01

about

BRITEX Stainless Steel Flushing Sinks incorporate an integral flushing bowl that provides efficient, hygienic removal of waste from all internal bowl surfaces, and solid waste when 100mm outlet selected. Fabricated from 1.2mm commercial grade 304 or acid resisting grade 316 satin finish stainless steel, integral flushing bowls are cone shaped (100mm tube dropper waste) and include a concealed perforated tube around the top of the bowl that can be 'flushed' when connected to a flush valve – such as an In-wall cistern. Fully custom fabricated to suit each individual project; BRITEX Flushing Sinks are available in a wide range of sizes and are commonplace in health projects and aged care facilities.

sample spec. text

BRITEX grade 304/316 Stainless Steel Conical Flushing Sink - XXXXmm Long x XXXmm Wide O/A with integral XXX mm High splashback to rear only. Integral conical flushing bowl to be 350mm ID with 100mm waste connection - Product Code FLF2

*RED TEXT may denote a **variable** where one option only is to be selected, a **nominal dimension** that needs to be specified, or an **optional feature** that can be removed if not required. Please refer to the back of this page for additional specification details and options.

VISIT BRITEX.COM.AU TO DOWNLOAD BIM FILES, CAD DRAWINGS AND THE MOST CURRENT PRODUCT LITERATURE.



MELBOURNE
Britex Place, Mirra Crt
Bundoora VIC 3083
t (03) 9466 9000
f (03) 9466 9044

SYDNEY
16 Northumberland Drv
Taren Point NSW 2229
t (02) 9531 2100
f (02) 9531 2800

PERTH
Unit 1/8 Principal Link
Malaga WA 6090
t (08) 9249 5464
f (08) 9248 6893

BRISBANE
19 Manilla St
East Brisbane QLD 4169
t (07) 3363 2400
f (07) 3363 2444

ADELAIDE
The Britex Group
SA State Office
t 1300 764 744
f 1300 784 306

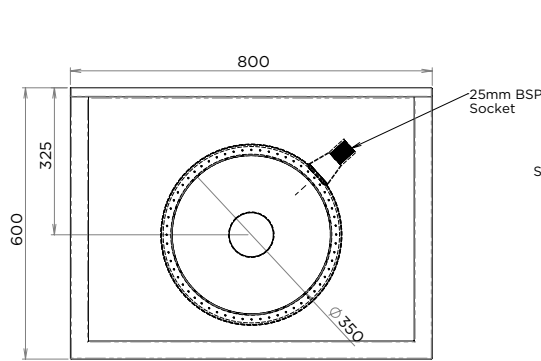
britex.com.au | info@britex.com.au | A.B.N 83 004 309 737

CONICAL FLUSHING SINK

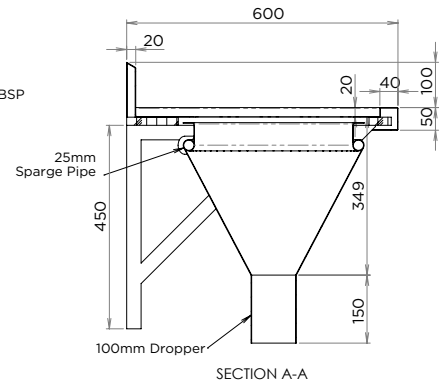
PRODUCT CODE

FLF 2 Conical Bowl

FLF 2 CONICAL Bowl Sizes I.D.
Ø300
Ø350
Ø400
Ø450
Ø500
<i>custom-consult BRITEX</i>



MODEL FLF 2 Plan

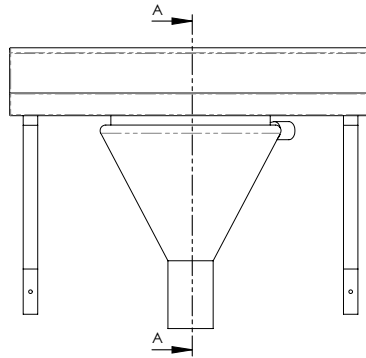


MODEL FLF 2 Section

Suggested Tapware:



TW-ST5 Slophopper Trigger Spray



MODEL FLF 2 Front Elevation

specifying guide

When specifying this product please include:

- Product **Name** and **Code**
- Product **Dimensions**
- **Grade** of Stainless Steel (304 or 316)
- **Bowl** size
- **Waste** Size - 50mm or 100mm

options

- Grade 304 or 316 S.S.
- Available in custom sizes
- Support Legs and/or Wall Brackets
- Grate for waste outlet (suits liquid waste disposal only)
- Supplied without top flange for welding into stainless bench top by others (OEM)

VISIT BRITEX.COM.AU TO DOWNLOAD BIM FILES, CAD DRAWINGS AND THE MOST CURRENT PRODUCT LITERATURE.

Last Revised 2020



britex.com.au | info@britex.com.au | A.B.N 83 004 309 737

Due to ongoing research and our commitment to product development, details are subject to change without notice. Details accurate at time of print.

Please refer to britex.com.au for the most current product information. Allow +/- 5mm tolerance for dimensions and setouts shown in product literature.

