

Vandal Resistant Fountain



DVR

Scan QR code to view our installation notes



To order this item please advise:

- Bubblers only OR
- Bubbler and bottle filler

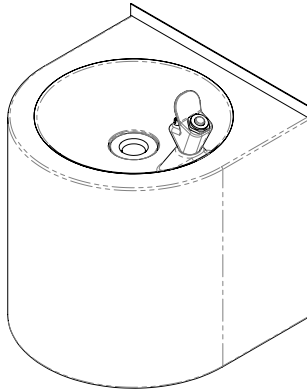
Product Info:

- Economical vandal resistance
- Heavy duty push button bubbler
- Concealed plumbing and fixings
- 40mm waste supplied
- Suits P trap installation
- Concealed access panel

Suggested Bottle Filler Option:



TW-BF-HS
Swivel Spout Bottle Filler
Hob Mounted



INSTALLATION NOTES

- 1) Fixture strength is ultimately determined by the load capacity of the supporting structure (noggins recommended for stud walls) and use of appropriate fixings.
- 2) Fountain is secured to wall with an offset bracket positioned behind the rear/top of the basin.
- 3) Two additional fixing points are integrated into the basin body near the base (fixings not supplied).
- 4) Remove access panel in base to fit off plumbing and wall fixings then replace panel.
- 5) Water connections to 1/2" bubbler: min = 150kPa, max = 350kPa.
- 6) An in-line filter to prevent debris fouling bubbler is recommended.
- 7) P trap not supplied.

