

Accessible Bellagio Basin

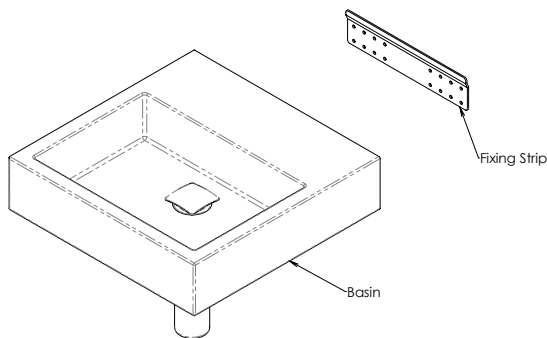
HBBEL-D



AS-1428
COMPLIANT

Product Info:

- AS.1428 Compliant
- Integrated Shelf Space
- Modern, square profile
- Hand made, seamless design
- Satin finish stainless steel
- Double-skinned robust construction
- 40mm waste with square cover supplied
- 1, 2 or 3 tap holes



INSTALLATION NOTES

- 1) Mark Basin height on wall 830mm FFL
- 2) Align Basin on wall and mark fixing strip location
- 3) Secure fixing strip to wall. Ensure a minimum of 4 top holes and 2 bottom holes are used
- 4) Place Basin on mounting strip
- 5) Place fixings in lower basin fixing holes
- 6) Secure base panel
- 7) Install waste

Note: This basin must be fixed directly to a stud/noggin or masonry wall

