



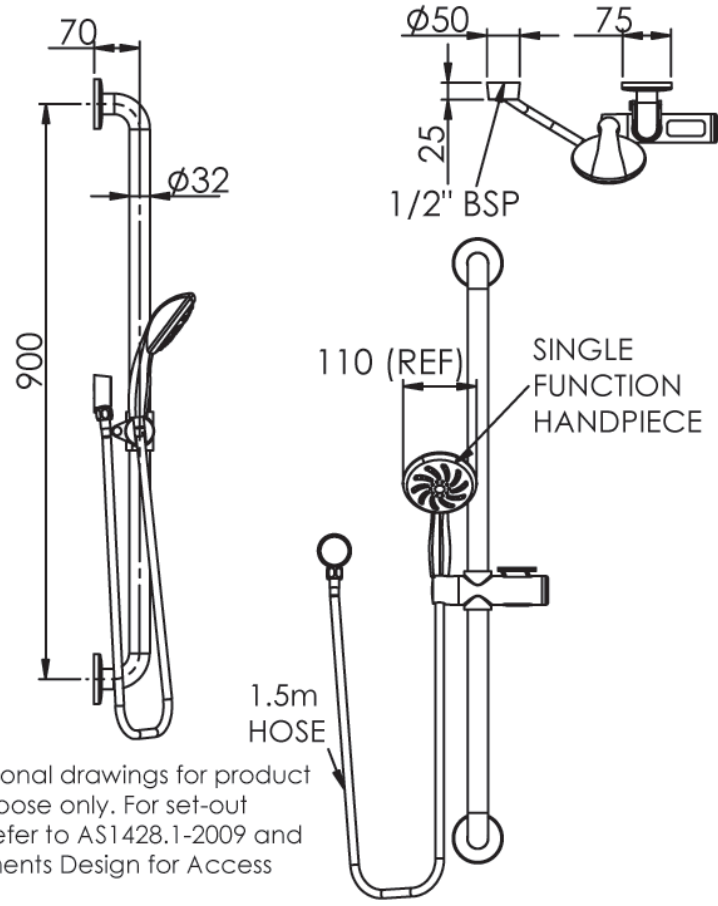
WELS REG # S05051(V)



### BTR-01-062

#### Adjustable Height Hand Held Shower Set with Grab Rail

Chrome Hand Held Shower and Smooth Hose with 900mm Stainless Steel Grab Rail



NOTE: Dimensional drawings for product illustrating purpose only. For set-out compliance refer to AS1428.1-2009 and 2010 amendments Design for Access and Mobility.