

Accessible Shower Seat Options

Comply to Australian Standard AS1428.1-2009, Amdt1-2010 Design for Access and Mobility.

The Australian Standard AS1428.1-2009, Amdt1-2010 Design for Access and Mobility states that for a shower seat to comply for accessible applications it must:

- Be located in the shower recess as specified by AS1428
- Must be folded in an upward direction and have a handle for access exposed when folded.
- Seat Height: 470-480mm from FFL
- Length: 1000mm min, Width: 390-400mm min (Length and width dimensions include a 40mm max spacing from both walls shown in Fig.2)

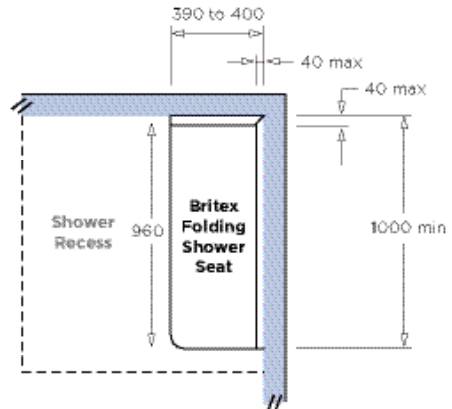


Fig.2 Shower Seat Placement

BTX-11-024

Accessible Folding Shower Seat

SIZE: L 960 x W 400 x H 295mm

MATERIAL:

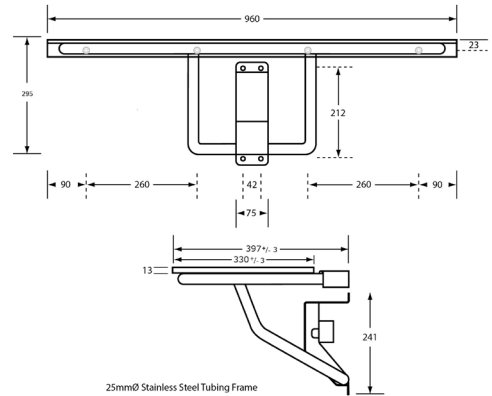
- #304 Satin Stainless Steel Frame and Support Arm- 25mmØ Tube
- #304 Satin Stainless Steel Wall Mount Guide Bracket
- 13mmT White Compact Laminate Single Piece Seat with 3 Bevelled Slots for Self-Draining

MOUNTING: Surface Mount Visible Fix
FEATURES:

- Fold away lockable support arm with wall mount guide bracket
- Low profile upright storage position (support arm will fold up)
- Guide Bracket shall control seat lowering into operating position



Folding Mechanism Close Up



This unit fully complies to Australian Standard AS1428.1-2009, Amdt1-2010 Design for Access and Mobility.

BTX-11-014

Accessible Folding Shower Seat with Support Legs

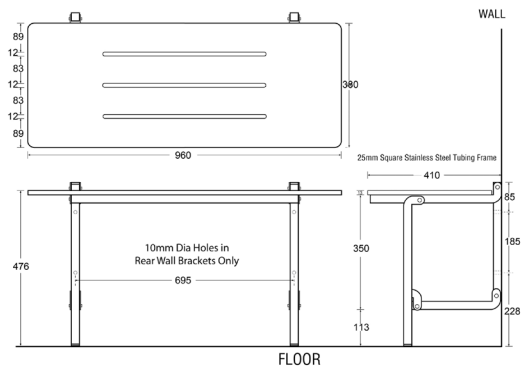
SIZE: L 960 x W 410 x H 476mm

MATERIAL:

- #304 Satin Stainless Steel Frame and Support Arm- 25mm² Tube
- 13mmT White Compact Laminate Single Piece Seat with Black Edging and Drainage Slots

MOUNTING: Surface Mount Visible Fix
FEATURES:

- Fold away lockable support leg
- Low profile upright storage position



This unit fully complies to Australian Standard AS1428.1-2009, Amdt1-2010 Design for Access and Mobility.

VISIT BRITEX.COM.AU TO DOWNLOAD BIM FILES, CAD DRAWINGS AND THE MOST CURRENT PRODUCT LITERATURE.

BTX-11-021

Fold Away Shower Seat Compact 600

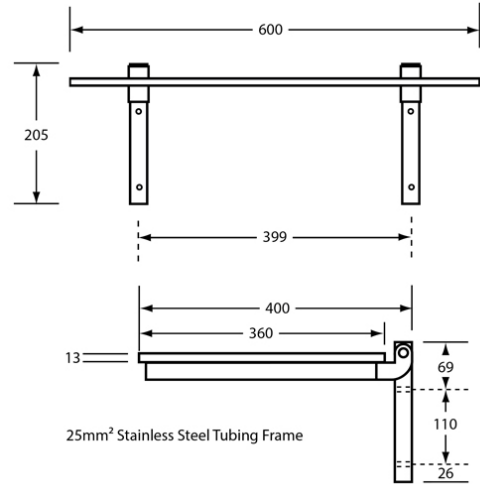
SIZE: L 600 x W 400 x H 205mm

MATERIAL:

- #304 Satin Stainless Steel Frame - 25mm² Tube
- 13mmT White Compact Laminate Single Piece Seat with Black Edging and Drainage Slots

MOUNTING: Surface Mount Visible Fix

FEATURES: Low profile upright storage position



BTX-11-022

Fold Away Shower Seat

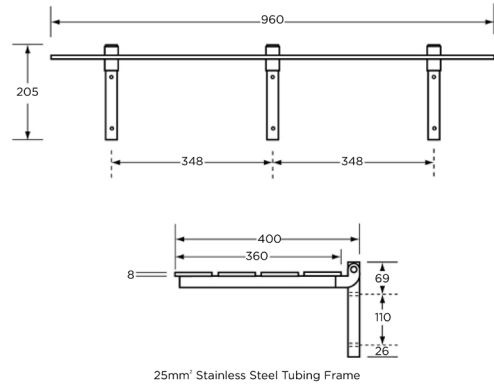
SIZE: L 960 x W 400 x H 205mm

MATERIAL:

- #304 Satin Stainless Steel Frame - 25mm² Tube
- 13mmT White Compact Laminate Single Piece Seat with Black Edging and Drainage Slots

MOUNTING: Surface Mount Visible Fix

FEATURES: Low profile upright storage position



BTX-11-023

Fold Away Shower Seat Compact 355

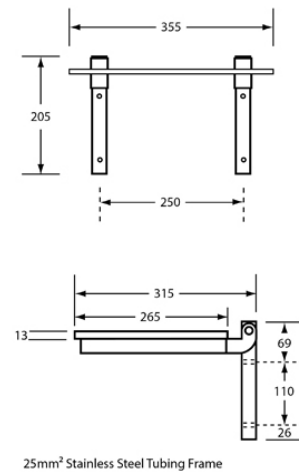
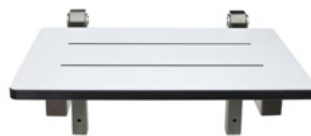
SIZE: L 355 x W 315 x H 205mm

MATERIAL:

- #304 Satin Stainless Steel Frame - 25mm² Tube
- 13mmT White Compact Laminate Single Piece Seat with Black Edging and Drainage Slots

MOUNTING: Surface Mount Visible Fix

FEATURES: Low profile upright storage position



VISIT BRITEX.COM.AU TO DOWNLOAD BIM FILES, CAD DRAWINGS AND THE MOST CURRENT PRODUCT LITERATURE.