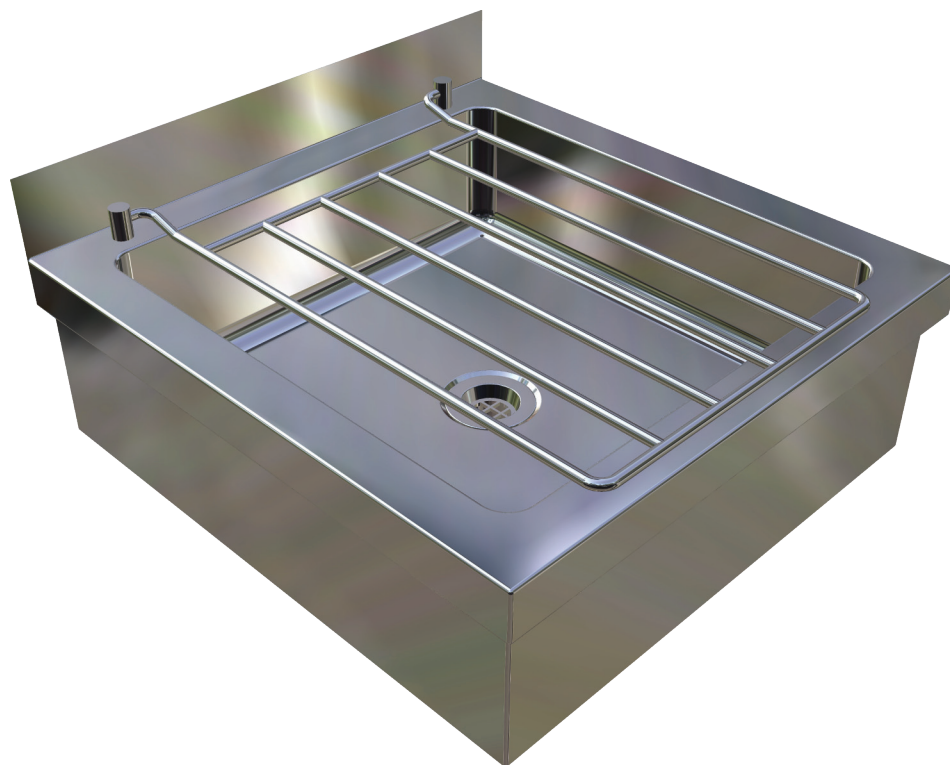


# FLOOR MOUNTED CLEANER'S SINK

7.14

COMMERCIAL SINKS

#CSF / FLOOR MOUNTED CLEANER'S SINK



Scan QR code  
to view online



## features and benefits

- Grade 304 S.S. satin finish tub
- Grade 304 S.S. hinged bucket grate
- OH&S friendly design
- 35L bowl capacity
- Standard and custom sizes available
- Grade 304 or 316 S.S.
- Corner model available
- 50mm waste outlet
- Extended splashback(s) optional

## about

The *BRITEX Floor Mounted Stainless Steel Cleaner's Sink* consists of a 35 litre tub and a robust stainless steel hinged grate for support and storage of buckets. OH&S friendly, this is an extremely sturdy, heavy duty Cleaner's Sink especially designed to handle significant wear and tear in health care facilities and commercial building projects. Can be supplied in commercial grade 304 or in acid resistant grade 316 stainless steel.

## sample spec. text

*BRITEX S.S. Floor Mounted Cleaner's Sink - 1.2mm Grade 304/316 Stainless Steel. 580x600x200mm Deep O/A. Supplied with stainless steel bucket grate and 50mm waste outlet. 35 litre bowl capacity - Product Code CSF*

\*RED TEXT may denote a **variable** where one option only is to be selected, a **nominal dimension** that needs to be specified, or an **optional feature** that can be removed if not required. Please refer to the back of this page for additional specification details and options.

VISIT [BRITEX.COM.AU](http://BRITEX.COM.AU) TO DOWNLOAD BIM FILES, CAD DRAWINGS AND THE MOST CURRENT PRODUCT LITERATURE.



**MELBOURNE**  
Britex Place, Mirra Crt  
Bundoora VIC 3083  
t (03) 9466 9000  
f (03) 9466 9044

**SYDNEY**  
16 Northumberland Drv  
Taren Point NSW 2229  
t (02) 9531 2100  
f (02) 9531 2800

**PERTH**  
Unit 1/8 Principal Link  
Malaga WA 6090  
t (08) 9249 5464  
f (08) 9248 6893

**BRISBANE**  
19 Manilla St  
East Brisbane QLD 4169  
t (07) 3363 2400  
f (07) 3363 2444

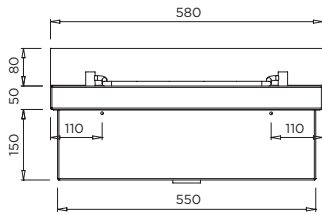
**ADELAIDE**  
The Britex Group  
SA State Office  
t 1300 764 744  
f 1300 784 306

[britex.com.au](http://britex.com.au) | [info@britex.com.au](mailto:info@britex.com.au) | A.B.N 83 004 309 737

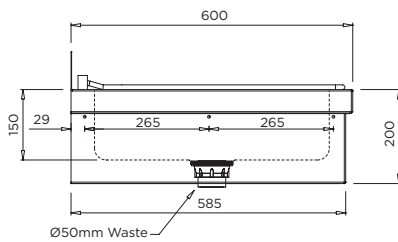
# FLOOR MOUNTED CLEANER'S SINK

PRODUCT CODE

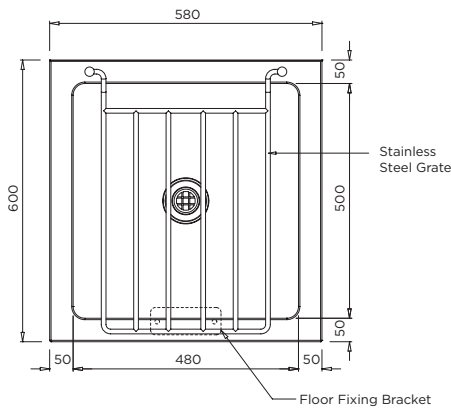
## CSF



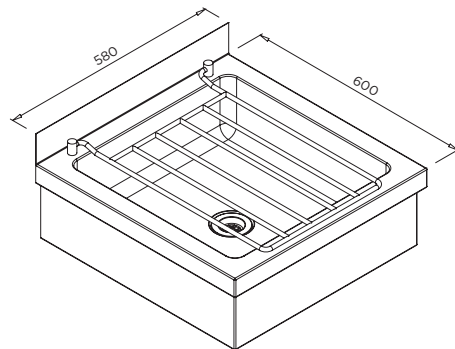
MODEL CSF Elevation



MODEL CSF Section



MODEL CSF Plan



MODEL CSF Isometric View

### Suggested Tapware:

(see Tapware Section: 11 for complete range of options)



TW-SET-01  
Wall Sink Set  
with Fixed Spout



TW-SET-04  
Wall Sink Set  
with Upswept  
Swivel Spout



TW-SET-05  
Wall Sink Set  
with Gooseneck  
Swivel Spout



TW-0010/TW-0011  
Vandal Resistant  
Hot and Cold  
Deluxe Bib Taps

*When specifying this product please include:*

- Product **Name** and **Code**
- Product **Dimensions**
- Product **Features**
- **Grade** of Stainless Steel (304 or 316)

specifying guide

options

- Recessed model
- Custom Sizes
- Corner Model available
- Tapware - see Tapware Section: 11
- Mop & Broom Racks - see Washroom Section: 12
- Splashback (up to 1500mm)

B

VISIT [BRITEX.COM.AU](http://BRITEX.COM.AU) TO DOWNLOAD BIM FILES, CAD DRAWINGS AND THE MOST CURRENT PRODUCT LITERATURE.

**BRITEX**  
innovating since 1938

Due to ongoing research and our commitment to product development, details are subject to change without notice. Details accurate at time of print. Please refer to [britex.com.au](http://britex.com.au) for the most current product information. Allow +/- 5mm tolerance for dimensions and setouts shown in product literature.

[britex.com.au](http://britex.com.au) | [info@britex.com.au](mailto:info@britex.com.au) | A.B.N 83 004 309 737



Quality ISO 9001