

# WALL HUNG URINAL TROUGH



WELS Reg #U00302



Scan QR code to view online



Image shows Model UTRO-1200-L-T  
1200mm Wall Hung Urinal Trough, Left Hand Waste and Top Entry

## features and benefits

- WELS and WaterMark certified
- Left or Right hand 50mm outlet
- Standard and custom lengths
- Supplied with top or rear water inlet
- Quick and easy to install
- Removable sparge
- Suited to portable buildings and public amenities

## about

The **BRITEX Wall Hung Urinal Trough** is manufactured from 1.2mm heavy duty stainless steel and is ideal for site sheds, portable buildings and ablution blocks. Easy to install and compatible with assorted Britex flushing systems, the Britex Wall Hung Urinal Trough comes in both standard and custom sizes. WaterMark and WELS certified as required by plumbing regulations and government legislation.

## sample spec. text

**BRITEX S.S. Wall Hung Urinal Trough - XXXXmm Long. 5\* WELS rating and WaterMark Level 1 certified. Radiused internal Corners. Top/rear water inlet and 50mm left/right hand waste outlet - Product Code UTRO-XXXX-X-X**

\*RED TEXT may denote a variable where one option only is to be selected, a nominal dimension that needs to be specified, or an optional feature that can be removed if not required. Please refer to the back of this page for additional specification details and options.

VISIT [BRITEX.COM.AU](http://BRITEX.COM.AU) TO DOWNLOAD BIM FILES, CAD DRAWINGS AND THE MOST CURRENT PRODUCT LITERATURE.



**MELBOURNE**  
Britex Place, Mirra Crt  
Bundoora VIC 3083  
t (03) 9466 9000  
f (03) 9466 9011

**SYDNEY**  
16 Northumberland Drv  
Taren Point NSW 2229  
t (02) 9531 2100  
f (02) 9531 2800

**PERTH**  
Unit 1/8 Principal Link  
Malaga WA 6090  
t (08) 9249 5464  
f (08) 9248 6893

**BRISBANE**  
19 Manila St  
East Brisbane QLD 4169  
t (07) 3363 2400  
f (07) 3363 2444

**ADELAIDE**  
The Britex Group  
SA State Office  
t 1300 764 744  
f 1300 784 306

[britex.com.au](http://britex.com.au) | [info@britex.com.au](mailto:info@britex.com.au) | A.B.N 83 004 309 737

# WALL HUNG URINAL TROUGH

PRODUCT CODE

## UTRO

### HOW TO SPECIFY: Wall Hung Urinal Trough

#### Sample Specification Code

A   B   C   D  
**UTRO - 1500 - R - T**

= Wall Hung Urinal Trough, 1500mm Long, Right Hand Waste, Top Entry

#### Specification Key

A = Product Code	D = Water Entry Type
B = Urinal Length (mm)	T : Top Entry
C = Waste Outlet Position	R : Rear Entry
L : Left Hand Waste	
R : Right Hand Waste	

#### Water Inlets for Urinals:

One water inlet is required for every 2000mm of Urinal, or part thereof.

#### Standard Sizes:

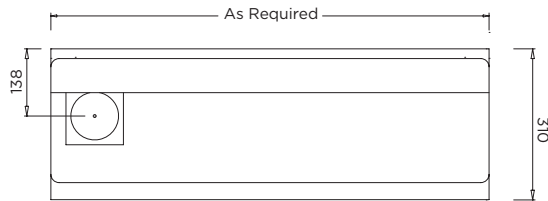
900, 1200, 1500, 1800, 2400mm

#### Suggested Mounting Heights:

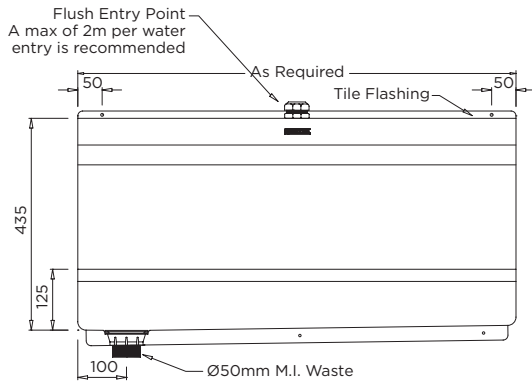
Dimension from finished floor to front edge/rim of urinal

Adults - 610 mm // Juniors - 510 mm

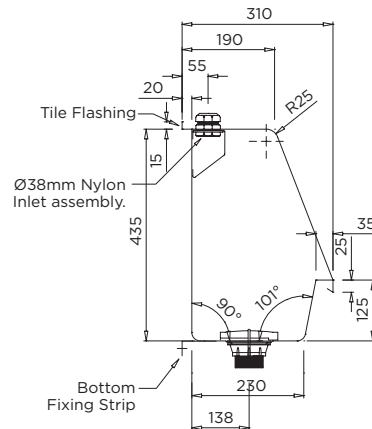
NB: Heights are suggestions only, subject to suitability of users for each individual project.



MODEL UTRO Plan



MODEL UTRO Front Elevation



Please note: Rear water entry assembly (where required) will extend past back of unit.

MODEL UTRO Section

#### When specifying this product please include:

- Product **Name** and **Code**
- Product **Length**
- Position of **Waste** (left or right)
- Top or rear **Water Entry**

specifying guide

options

- Top or rear water entry
- Outlet position - left or right
- Custom lengths
- Flushing system - see Flushing Section: 3
- Removable shroud to conceal waste connection

VISIT [BRITEX.COM.AU](http://BRITEX.COM.AU) TO DOWNLOAD BIM FILES, CAD DRAWINGS AND THE MOST CURRENT PRODUCT LITERATURE.