



AS-1428
COMPLIANT

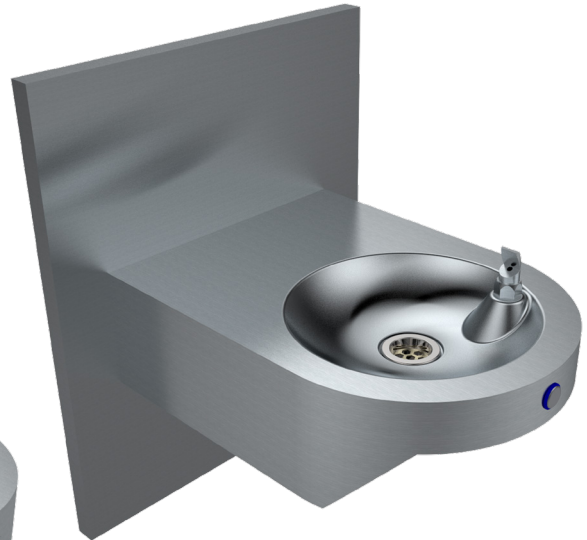


WaterMark
AS/NZS 4041:2015

Scan QR code
to view online



Model DDR1-S DADO Single Round Standard



Model DDR1-D DADO Single Round Disabled

features and benefits

- Modern appearance
- Choice of disabled and compact (standard) models
- Front push, timed flow bubbler
- Stainless bracket supplied
- Remote refrigeration model available
- Grade 304 satin S.S.
- 40mm waste outlet
- Integral splashback panel
- Suits schools, airports, shopping centres and public areas

about

The *BRITEX Stainless Steel Dado Single Round Drinking Fountain* - is a stylish, versatile fixture that can be supplied in either a disabled access configuration, or a space saving compact size. Both models are supplied complete with a front push, timed flow bubbler, splashback panel, waste outlet and mounting bracket. Manufactured from commercial grade 304 stainless steel. Refrigerated models are supplied with a separate remote chiller unit for installation within wall cavity.

sample spec. text

BRITEX S.S. Dado Single Round Drinking Fountain - **Standard/Disabled** model. Backing panel to be 500L x 620H. Supplied complete with 40mm waste outlet, front push button activated bubbler. **AS1428 compliant** - Product Code DDR1-X

*RED TEXT may denote a **variable** where one option only is to be selected, a **nominal dimension** that needs to be specified, or an **optional feature** that can be removed if not required. Please refer to the back of this page for additional specification details and options.

VISIT BRITEX.COM.AU TO DOWNLOAD BIM FILES, CAD DRAWINGS AND THE MOST CURRENT PRODUCT LITERATURE.



MELBOURNE
Britex Place, Mirra Crt
Bundoora VIC 3083
t (03) 9466 9000
f (03) 9466 9044

SYDNEY
16 Northumberland Drv
Taren Point NSW 2229
t (02) 9531 2100
f (02) 9531 2800

PERTH
Unit 1/8 Principal Link
Malaga WA 6090
t (08) 9249 5464
f (08) 9248 6893

BRISBANE
19 Manilla St
East Brisbane QLD 4169
t (07) 3363 2400
f (07) 3363 2444

ADELAIDE
The Britex Group
SA State Office
t 1300 764 744
f 1300 784 306

DADO SINGLE ROUND

8.04

FOUNTAINS

#DDR1 / DADO SINGLE ROUND

PRODUCT CODE

DDR1-S

Standard (Compact) Model

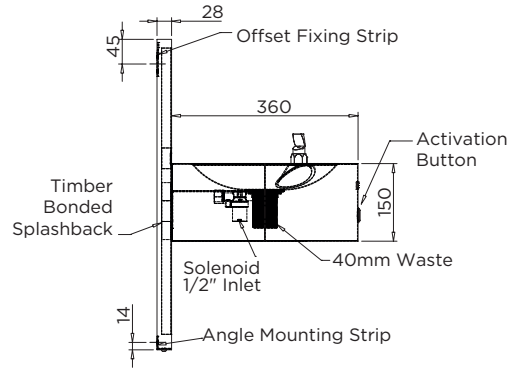
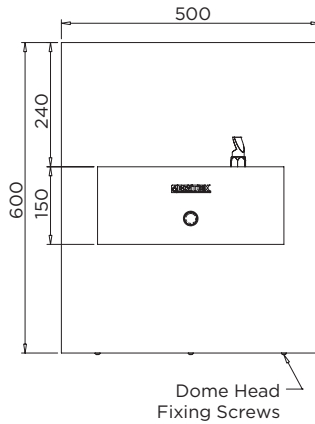
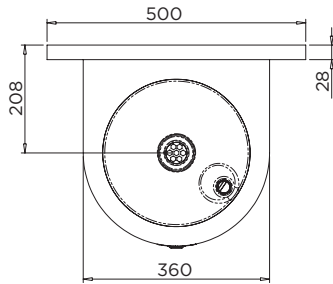
DDR1-D

Disabled Model

Suggested Bottle Filler Option:

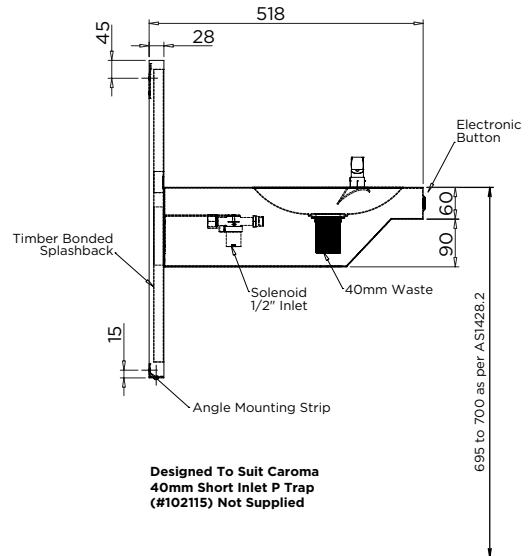
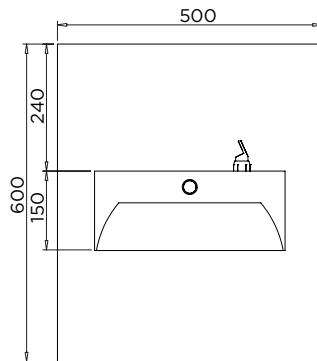
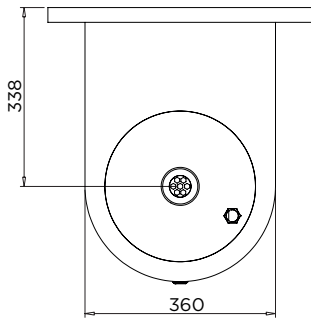


TW-BF-HF
Fixed Spout Bottle Filler
Hob Mounted



Designed To Suit Caroma
40mm Short Inlet P Trap
(#102115) Not Supplied

MODEL DDR1-S Plan, Front Elevation and Side Elevation



Designed To Suit Caroma
40mm Short Inlet P Trap
(#102115) Not Supplied

MODEL DDR1-D Plan, Front Elevation and Side Elevation

When specifying this product please include:

specifying guide

- Product Name and Code
- Product Dimensions
- Product Features
- Compact or Disabled Model

options

- Compact or Disabled Model
- Refrigerated
- Additional Bottle Filler - TW-BF-HF: p 11.02
- Replacement Battery Unit for Electronic Activation Button: 74-08-0106

VISIT BRITEX.COM.AU TO DOWNLOAD BIM FILES, CAD DRAWINGS AND THE MOST CURRENT PRODUCT LITERATURE.

Last Revised 2019



britex.com.au | info@britex.com.au | A.B.N 83 004 309 737

Due to ongoing research and our commitment to product development, details are subject to change without notice. Details accurate at time of print.

Please refer to britex.com.au for the most current product information. Allow +/- 5mm tolerance for dimensions and setouts shown in product literature.



Quality ISO 9001