

# CONICAL FLUSHING FLOOR WASTE

5.06

TANKS & DRAINAGE

#FFWC / CONICAL FLUSHING FLOOR WASTE



Scan QR code to view online



## features and benefits

- WaterMark certified (ATS 5200.040)
- Heavy gauge stainless steel construction
- Removable grate for ease of cleaning
- Compatible with numerous flushing mechanisms
- Models suit concrete or vinyl flooring
- Conical body for efficient flushing
- Supplied with adjustable stainless steel 'P' trap
- Concealed internal flushing rim
- Perfect for schools, aged care and medical facilities

## about

The *BRITEX Conical Flushing Floor Waste* is manufactured from heavy gauge stainless steel and suited specifically to schools, hospitals, aged care facilities, mortuaries and veterinary clinics. WaterMark certified, Robust in construction and supplied complete with an adjustable 110mm dia. stainless steel P Trap, the conical body of the unit ensures efficient flushing and easy cleaning

## sample spec. text

*BRITEX S.S. Conical Flushing Floor Waste - 390mm dia. to suit vinyl/concrete floor. WaterMark certified. Complete with adjustable 110mm dia. stainless steel P Trap and removable grate - Product Code FFWC- X*

\*RED TEXT may denote a variable where one option only is to be selected, a nominal dimension that needs to be specified, or an optional feature that can be removed if not required. Please refer to the back of this page for additional specification details and options.

VISIT [BRITEX.COM.AU](http://BRITEX.COM.AU) TO DOWNLOAD BIM FILES, CAD DRAWINGS AND THE MOST CURRENT PRODUCT LITERATURE.



**MELBOURNE**  
Britex Place, Mirra Crt  
Bundoora VIC 3083  
t (03) 9466 9000  
f (03) 9466 9044

**SYDNEY**  
16 Northumberland Drv  
Taren Point NSW 2229  
t (02) 9531 2100  
f (02) 9531 2800

**PERTH**  
Unit 1/8 Principal Link  
Malaga WA 6090  
t (08) 9249 5464  
f (08) 9248 6893

**BRISBANE**  
19 Manilla St  
East Brisbane QLD 4169  
t (07) 3363 2400  
f (07) 3363 2444

**ADELAIDE**  
The Britex Group  
SA State Office  
t 1300 764 744  
f 1300 784 306

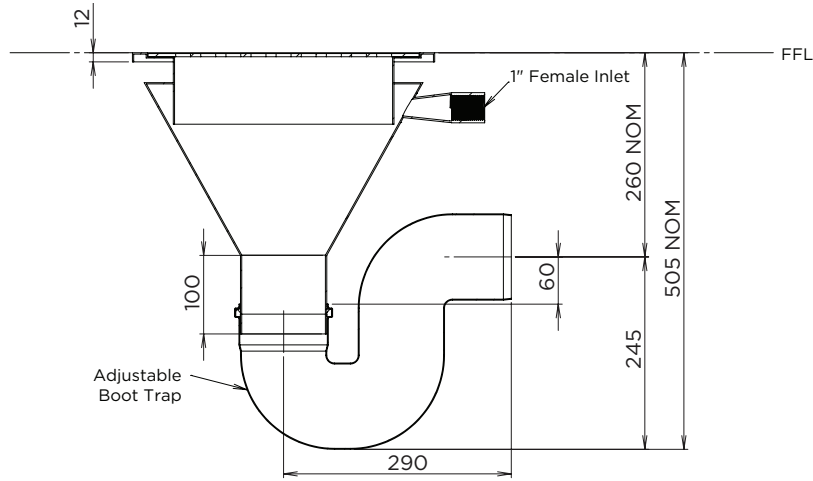
[britex.com.au](http://britex.com.au) | [info@britex.com.au](mailto:info@britex.com.au) | A.B.N 83 004 309 737

# CONICAL FLUSHING FLOOR WASTE

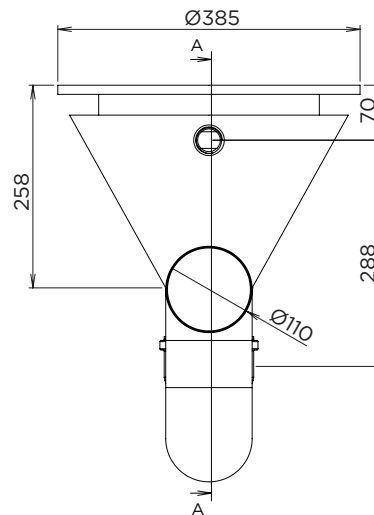
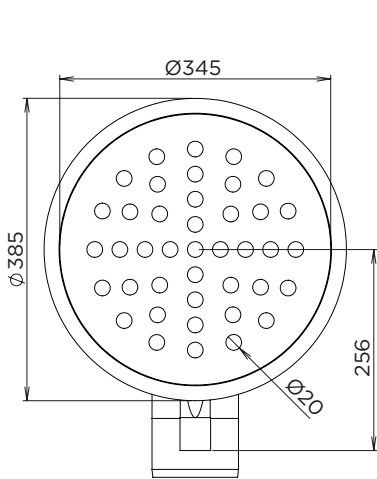
PRODUCT CODE

**FFWC-C** (suits concrete floors)

**FFWC-V** (suits vinyl floors)



SECTION A-A



*When specifying this product please include:*

- Product **Name** and **Code**
- Overall **Product Dimensions**
- Product **Features**
- **Concrete** or **Vinyl** floor model

specifying guide

options

- Grade 316 stainless steel body
- Custom sizes

VISIT [BRITEX.COM.AU](http://BRITEX.COM.AU) TO DOWNLOAD BIM FILES, CAD DRAWINGS AND THE MOST CURRENT PRODUCT LITERATURE.

Last Revised June 2017



Due to ongoing research and our commitment to product development, details are subject to change without notice. Details accurate at time of print. Please refer to [britex.com.au](http://britex.com.au) for the most current product information. Allow +/- 5mm tolerance for dimensions and setouts shown in product literature.

[britex.com.au](http://britex.com.au) | [info@britex.com.au](mailto:info@britex.com.au) | A.B.N 83 004 309 737

