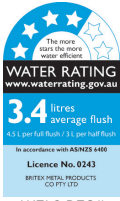


# ACCESSIBLE TOILET SUITE

2.10

TOILETS



WELS REG#  
P Trap: LO1513  
S Trap: LO1514



AS-1428  
COMPLIANT

Scan QR code  
to view online



N.B: All Britex disabled and ambulant toilet pans are supplied with our Vandal Resistant Closed Front Toilet Seat (black colour unless otherwise specified) to comply with AS1428 Disability Code.

## features and benefits

- WELS and WaterMark certified
- Disability code - AS1428 compliant
- Ultra vandal resistant
- Unique blockage resistant trap
- Supplied pre-plumbed
- Robust construction
- Concealed fixings
- Optional backrest - as required by AS1428
- Left and right access panels
- Fitted toilet seat - as required by AS1428
- Double-skinned cistern casing
- Suits pubs, clubs and public amenities

## about

The *BRITEX Stainless Steel Accessible Toilet Suite* is a robust yet stylish compact suite that incorporates a vandal resistant toilet pan and dual flush cistern with radiused edge. It is designed to conform to Australian Standard for disability access - AS1428. A pressed internal bowl area and unique trap design makes the pan extremely water efficient and much less susceptible to costly blockages in public amenities. Being close-coupled, the suite is hygienic, highly resistant to vandalism and allows for ease of cleaning. Perfect for public toilets and areas that require high security fixtures without compromising on aesthetics. WaterMark and WELS certified as required by plumbing regulations and government legislation. A vandal resistant Stainless Steel Backrest as required by AS1428:2009 is optional.

## sample spec. text

*BRITEX S.S. Disabled Centurion Toilet Suite. 4\* WELS rating and WaterMark certified. S/P trap pan to have 14mm safety radius front edge and 2 x side access panels, fully shrouded to rear wall and double-skinned cistern case with raised buttons. Supplied with Black Vandal Resistant Toilet Seat. AS1428 compliant - Product Code PTSDX*

\*RED TEXT may denote a **variable** where one option only is to be selected, a **nominal dimension** that needs to be specified, or an **optional feature** that can be removed if not required. Please refer to the back of this page for additional specification details and options.

VISIT [BRITEX.COM.AU](http://BRITEX.COM.AU) TO DOWNLOAD BIM FILES, CAD DRAWINGS AND THE MOST CURRENT PRODUCT LITERATURE.



**MELBOURNE**  
Britex Place, Mirra Crt  
Bundoora VIC 3083  
t (03) 9466 9000  
f (03) 9466 9011

**SYDNEY**  
16 Northumberland Drv  
Taren Point NSW 2229  
t (02) 9531 2100  
f (02) 9531 2800

**PERTH**  
Unit 1/8 Principal Link  
Malaga WA 6090  
t (08) 9249 5464  
f (08) 9248 6893

**BRISBANE**  
19 Manilla St  
East Brisbane QLD 4169  
t (07) 3363 2400  
f (07) 3363 2444

**ADELAIDE**  
The Britex Group  
SA State Office  
t 1300 764 744  
f 1300 784 306

[britex.com.au](http://britex.com.au) | [info@britex.com.au](mailto:info@britex.com.au) | A.B.N 83 004 309 737

#PTSD / ACCESSIBLE TOILET SUITE

# ACCESSIBLE TOILET SUITE

PRODUCT CODE

**PTSDCS** S Trap Centurion Disabled Pan

**PTSDCP** P Trap Centurion Disabled Pan

2.10

TOILETS

### Suggested Toilet Seat Options:

(see Toilet Seats: 2.18 for complete range of options)



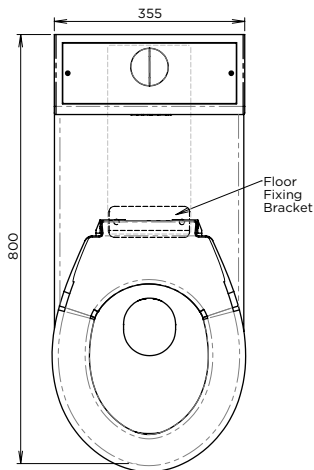
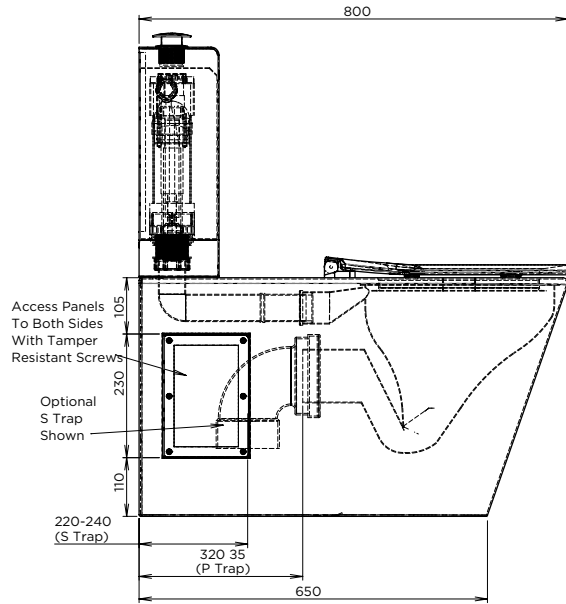
**SVRC-B**  
Vandal Resistant  
Closed Front  
Toilet Seat - BLACK



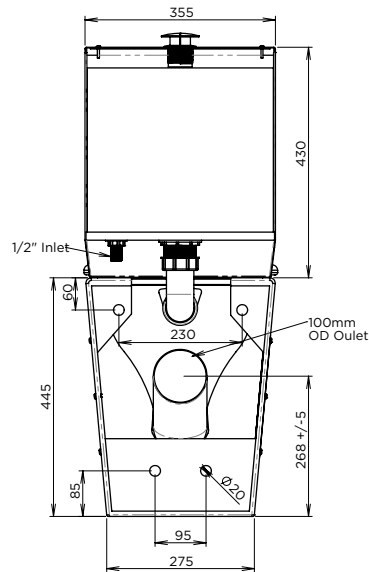
**SVRC-W**  
Vandal Resistant  
Closed Front  
Toilet Seat - WHITE



**SVRC-N**  
Vandal Resistant  
Closed Front  
Toilet Seat - NAVY



MODEL PTSDC Plan



MODEL PTSDC Side and Rear Elevation



*When specifying this product please include:*

- Product Name and Code
- Product Dimensions
- Product Features / Options
- Pan Model (Centurion)
- P or S Trap
- Seat Model (if required)



- Toilet Seat see p 2.18
- Backrest - as required by AS1428 see p 2.19
- S or P trap configurations
- Ambulant Model - p 2.11

VISIT [BRITEX.COM.AU](http://BRITEX.COM.AU) TO DOWNLOAD BIM FILES, CAD DRAWINGS AND THE MOST CURRENT PRODUCT LITERATURE.

Last Revised June 2017



Due to ongoing research and our commitment to product development, details are subject to change without notice. Details accurate at time of print. Please refer to [britex.com.au](http://britex.com.au) for the most current product information. Allow +/- 5mm tolerance for dimensions and setouts shown in product literature.



[britex.com.au](http://britex.com.au) | [info@britex.com.au](mailto:info@britex.com.au) | A.B.N 83 004 309 737

#PTSD / ACCESSIBLE TOILET SUITE