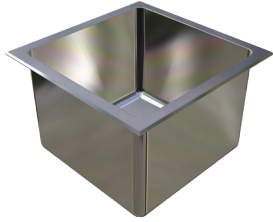


Laboratory Bowl

LB



Scan QR code to view our installation notes



To order this item please advise:

- Product code & dimensions
- Waste outlet type: stainless or poly

Product Info:

- Grade 316 satin finish S.S.
- Optional WaterMark certified stainless waste (LSPW: pg 262)
- Standard sizes kept in stock
- Can be top or under mounted
- Will not crack or chip
- Radius internal corners for easy cleaning

Suggested Tapware:

(see Tapware Section: 11 for complete range of options)



TW-LBSET-01A



TW-LBSET-04



TW-LBSET-06

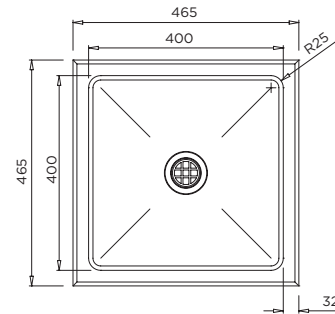
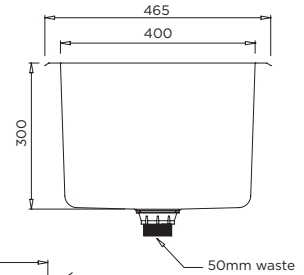
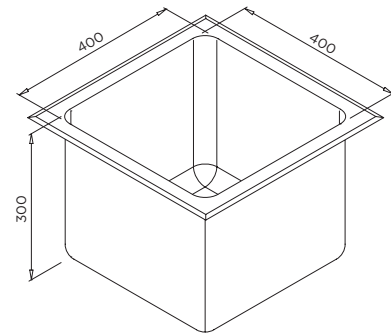


TW-LBSET-08

INSTALLATION NOTES

1) Lab bowl is generally top mounted in a joinery bench. 2) Cut out for bowl is overall L x W dimensions (including end flanges) minus 20mm, which leaves a 10mm overhang on all four sides for mounting on bench top. 3) Fixing clips are tightened to locate and secure integral studs to the inside of the cutout. 4) A silicon sealant or adhesive tape can be applied to the underside perimeter of flange for additional sealing and securing where required. 5) If under mounting, fixing holes will need to be pre-drilled in the bowl flange, silicon sealant applied, then screwed through to underside of substrate. 6) 50mm polypropylene waste supplied standard. 7) Grade 316 stainless waste supplied only where requested.

	L	Internal Size	External Size	Cut Out
LB1	15L	250 x 250 x 260	314 x 314 x 260	295 x 295
LB2	25L	300 x 300 x 300	364 x 364 x 300	345 x 345
LB3	35L	350 x 350 x 270	414 x 414 x 270	394 x 394
LB4	45L	400 x 400 x 300	464 x 464 x 300	444 x 444
LB5	18L	298 x 298 x 200	362 x 362 x 200	343 x 343



LB4 Shown