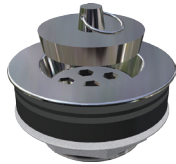


LABORATORY BOWL

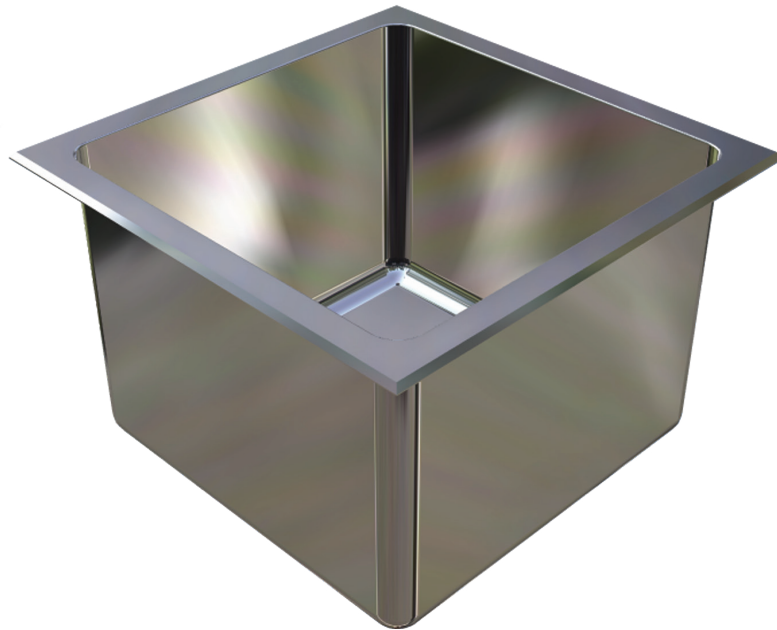
7.01

COMMERCIAL SINKS

#LB / LABORATORY BOWL



Optional Acid Resistant
Grade 316 Stainless Steel
Waste Outlet (LSPW)



Scan QR code
to view online



features and benefits

- Optional WaterMark certified S.S. waste
- Grade 316 acid resistant S.S
- Standard sizes kept in stock
- Custom sizes available
- Will not crack or chip
- Can be top or undermounted
- Radius internal corners for easy cleaning
- Optional laboratory tapware
- Suits school science rooms and laboratories

about

BRITEX Stainless Steel Laboratory Bowls are hand fabricated using 1.2mm grade 316 acid resistant stainless steel and can be inset or undermounted. Available in standard and custom sizes, they are available with an optional WaterMark certified grade 316 stainless steel waste outlet (LSPW) and stopper. Ideal for school science rooms and laboratories they can also be made in grade 304 stainless steel and used in domestic or light commercial projects. If required one flange can be extended from 32mm to 80mm to accommodate tapware. Radiused internal bowl corners ensure cleaning is easy. Can be supplied with laboratory tapware if required (see reverse page for tapware options).

sample spec. text

BRITEX Grade 316 S.S. Laboratory Bowl - XXXL x XXXW x XXXD internally. 32mm flange to all sides supplied complete with WaterMark certified grade 316 S.S waste outlet (LSPW) - Product Code L BX

*RED TEXT may denote a **variable** where one option only is to be selected, a **nominal dimension** that needs to be specified, or an **optional feature** that can be removed if not required. Please refer to the back of this page for additional specification details and options.

VISIT BRITEX.COM.AU TO DOWNLOAD BIM FILES, CAD DRAWINGS AND THE MOST CURRENT PRODUCT LITERATURE.



MELBOURNE
Britex Place, Mirra Crt
Bundoora VIC 3083
t (03) 9466 9000
f (03) 9466 9044

SYDNEY
16 Northumberland Drv
Taren Point NSW 2229
t (02) 9531 2100
f (02) 9531 2800

PERTH
Unit 1/8 Principal Link
Malaga WA 6090
t (08) 9249 5464
f (08) 9248 6893

BRISBANE
19 Manilla St
East Brisbane QLD 4169
t (07) 3363 2400
f (07) 3363 2444

ADELAIDE
The Britex Group
SA State Office
t 1300 764 744
f 1300 784 306

britex.com.au | info@britex.com.au | A.B.N 83 004 309 737

LABORATORY BOWL

PRODUCT CODES

LB

	Litres	Internal Size	External Size	Cut Out
LB1	15L	250 x 250 x 260	314 x 314 x 260	295 x 295
LB2	25L	300 x 300 x 300	364 x 364 x 300	345 x 345
LB3	35L	350 x 350 x 270	414 x 414 x 270	394 x 394
LB4	45L	400 x 400 x 300	464 x 464 x 300	444 x 444
LB5	18L	298 x 298 x 200	362 x 362 x 200	343 x 343
LB-X	<i>for custom sized lab bowls please consult BRITEX</i>			

Suggested Tapware:

(see Tapware Section: 11 for complete range of options)



TW-LBSET-01A



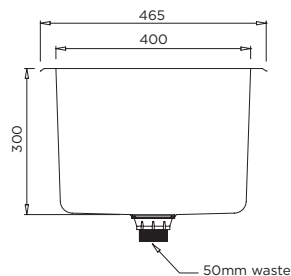
TW-LBSET-04



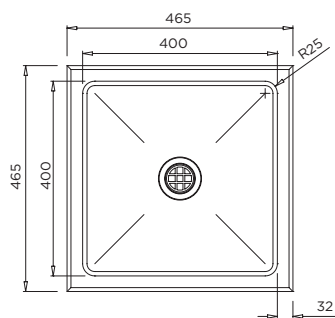
TW-LBSET-06



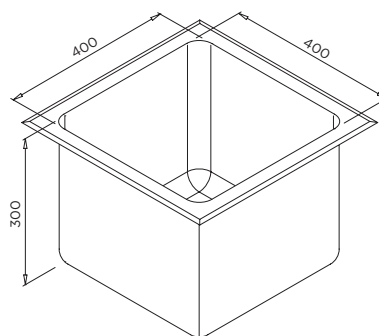
TW-LBSET-08



MODEL LB4 Section



MODEL LB4 Plan



MODEL LB4 Isometric View

When specifying this product please include:



- Product **Name** and **Code**
- Product **Dimensions**
- **Waste Outlet Type** (polypropylene or stainless steel)



- Grade 316 S.S. Waste - LSPW: p 7.07
- Custom sizes
- 80mm rear flange to incorporate tap holes

VISIT BRITEX.COM.AU TO DOWNLOAD BIM FILES, CAD DRAWINGS AND THE MOST CURRENT PRODUCT LITERATURE.

Last Revised June 2017



Due to ongoing research and our commitment to product development, details are subject to change without notice. Details accurate at time of print. Please refer to britex.com.au for the most current product information. Allow +/- 5mm tolerance for dimensions and setouts shown in product literature.

britex.com.au | info@britex.com.au | A.B.N 83 004 309 737

