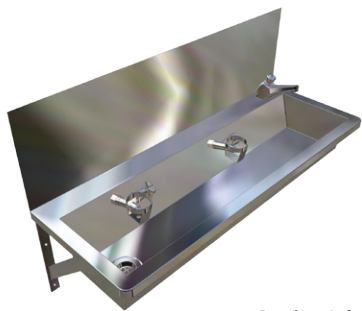


## TWAL TWALP

Scan QR code  
to view our  
installation notes

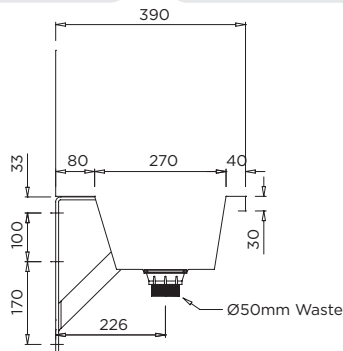


### Product Info:

- Conforms to NSW DOC education standard
- Available pre-plumbed with tapware
- Suitable for hand washing and/or drinking
- Standard and custom lengths
- Commercial grade 304 S.S.
- Wall brackets and 50mm waste supplied

### To order this item please advise:

- Product Code:  
TWAL: Standard model (no tapware)  
TWALP: Pre-plumbed model (please provide tapware quantity and codes)
- Trough length
- Waste position - Left or Right



### INSTALLATION NOTES

1) Fixture strength is ultimately determined by the load capacity of the supporting structure (noggins recommended for stud wall construction) and use of appropriate fixings (i.e. sleeve anchors for masonry walls). 2) Trough is mounted to wall via two end brackets (inserted into end fascias of trough). 3) A centre bracket that supports the underside of the fixture is supplied for troughs over 2000mm. 4) To further secure the trough to the rear wall and to prevent shifting of the brackets once screws have been tightened, an adhesive tape or silicon can be applied to the rear tile flange and to the underside of the end fascia where it is in contact with the bracket. 5) Screw holes may also be drilled near the top of the rear splashback if desired. 6) Front support legs supplied only by specific request.

**When supplied pre-plumbed:** 1) a 1/2" male water connection is supplied at same end as waste unless specified otherwise. 2) Water connection: Min = 250kPa, Max = 500kPa subject to no. of bubblers and flow conditions. 3) Troughs can be supplied with multiple tap styles where required.

### Suggested Mounting Heights (mm)

	infant	primary	secondary
wash	550	650	700
drink	550	700	900

### Tapware Options:



**TW-DP45**  
Push Button Bubbler



**TW-DC45**  
Cam Action Bubbler



**TW-9101**  
Eco Timed Flow Pillar Tap



**TW-0020**  
Vandal Resistant DPW  
(NSW) Deluxe Pillar Tap

