

Pull Chain Cistern



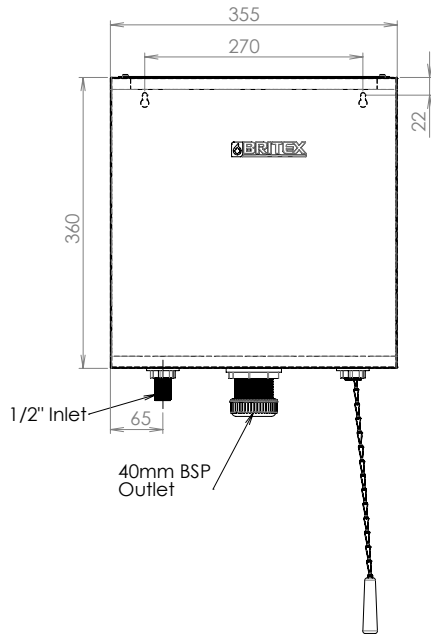
Scan QR code to view our installation notes



FCP

Product Info:

- Fully welded case with radius top edge
- Durable metallic pull chain
- Tamper resistant service panel
- Concealed wall fixings



INSTALLATION NOTES

- 1) Cistern mounts to wall via two key hole fixings at the rear of the cistern case.
- 2) Fixing points are accessed by removing the access panel on top of the cistern.
- 3) Inlet is supplied on left hand side.

