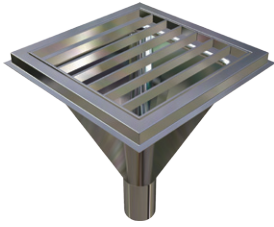


Flushing Floor Waste



FFW



Scan QR code
to view our
installation notes

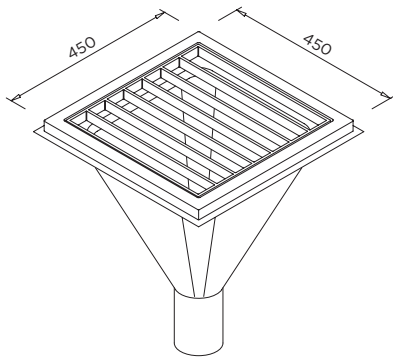


Product Info:

- Watermark Certification
- Removable bar grate for easy cleaning
- Optional adjustable stainless P trap
- Concealed internal flushing rim
- Heavy gauge stainless construction
- Suits a variety of flushing mechanisms
- Standard and custom sizes available

To order this item please advise:

- Required size and dimensions



INSTALLATION NOTES

1) The Flushing Floor Waste is designed to be installed into a floor penetration that allows the top rim to be set flush with the finished floor level, preferably at the lowest point of a grade within the floor that allows water to fall into the floor waste. 2) The flushing floor waste should be installed with the inlet connection pointing in the general direction of the flushing water supply. 3) A 100mm straight dropper on standard models allows an easy slip joint into the waste drainage pipe. 4) Custom sizes can be specified and manufactured to suite a variety of applications. 5) A cistern or flush valve supplied separately is required to flush the Flushing Floor Waste.

