

Scan QR code to view online



features and benefits

- WaterMark certified (ATS 5200.040)
- 25mm flushing perimeter sparge
- Optional stainless P trap waste connection
- Standard or custom sizes available
- Removable bar grate
- Ideal for hospitals, food processing facilities and commercial kitchens

about

The *BRITEX Flushing Floor Waste* is manufactured from either 1.2mm or 1.6mm grade 304 or 316 stainless steel. WaterMark certified, this unit consists of a flushing hopper which can be fixed to the floor using the perimeter flanges. The unit comes with a 100mm diameter waste dropper which fits easily into PVC pipe work. The flushing ring to the hopper transition allows all internal surfaces to be fully flushed which assists in maintaining high standards of hygiene.

sample spec. text

BRITEX S.S. Flushing Floor Waste - Grade 304/316 S.S. 450x450mm, complete with 110mm dia. adjustable stainless steel P Trap and removable grate. WaterMark certified - Product Code FFW

*RED TEXT may denote a **variable** where one option only is to be selected, a **nominal dimension** that needs to be specified, or an **optional feature** that can be removed if not required. Please refer to the back of this page for additional specification details and options.

VISIT BRITEX.COM.AU TO DOWNLOAD BIM FILES, CAD DRAWINGS AND THE MOST CURRENT PRODUCT LITERATURE.



MELBOURNE
Britex Place, Mirra Crt
Bundoora VIC 3083
t (03) 9466 9000
f (03) 9466 9044

SYDNEY
16 Northumberland Drv
Taren Point NSW 2229
t (02) 9531 2100
f (02) 9531 2800

PERTH
Unit 1/8 Principal Link
Malaga WA 6090
t (08) 9249 5464
f (08) 9248 6893

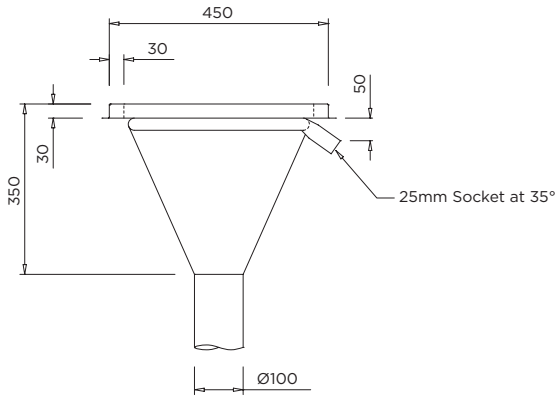
BRISBANE
19 Manilla St
East Brisbane QLD 4169
t (07) 3363 2400
f (07) 3363 2444

ADELAIDE
The Britex Group
SA State Office
t 1300 764 744
f 1300 784 306

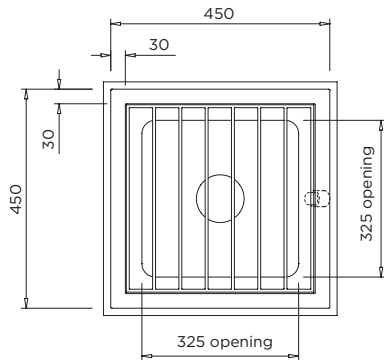
FLUSHING FLOOR WASTE

PRODUCT CODE

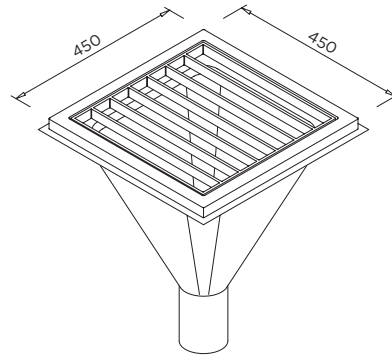
FFW



MODEL FFW Front Elevation



MODEL FFW Plan



MODEL FFW Isometric View

When specifying this product please include:

- Product Name and Code

specifying guide

options

- 304 or 316 grade stainless steel
- Custom sizes
- Stainless P trap waste connection

VISIT BRITEX.COM.AU TO DOWNLOAD BIM FILES, CAD DRAWINGS AND THE MOST CURRENT PRODUCT LITERATURE.