

Image shows Model TP7-F  
Wall Mounted Trough  
with front fascia

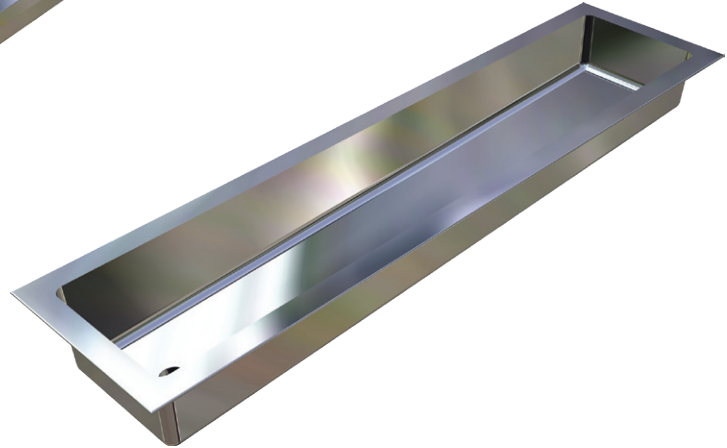


Image shows Model TP7-I  
Inset Trough

Scan QR code  
to view online



## features and benefits

- Inset and wall mounted models
- Standard and custom lengths
- Commercial grade 304 S.S.
- 450mm or 600mm wide
- Optional extended rear hob to fit tapware
- 50mm waste supplied
- Radius internal corners - easy cleaning
- Left or right hand waste position
- Ideal for schools, workshops and public amenities

## about

The *BRITEX Stainless Steel Practical Trough* is a versatile trough that can be used for a large range of applications, commonly in education projects. Inset and fascia style models are available for bench and wall mounting respectively. Made from 1.2mm grade 304 stainless steel and possessing square external corners it is available in custom lengths with either left or right hand waste position. Wall mounted models are supplied with heavy duty wall brackets and front legs are available if additional support is required.

## sample spec. text

*BRITEX 1.2mm grade 304 S.S. Inset/Fascia Practical Trough - XXXXL x 450/600W x 200D complete with left/right hand 50mm waste outlet - Product Code TP7-X*

\*RED TEXT may denote a **variable** where one option only is to be selected, a **nominal dimension** that needs to be specified, or an **optional feature** that can be removed if not required. Please refer to the back of this page for additional specification details and options.

VISIT [BRITEX.COM.AU](http://BRITEX.COM.AU) TO DOWNLOAD BIM FILES, CAD DRAWINGS AND THE MOST CURRENT PRODUCT LITERATURE.

# PRACTICAL TROUGH

PRODUCT CODE

## TP7-F

Fascia style (450mm wide)

## TP7-I

Inset style (450mm wide)

## TP7-FW

Fascia style (600mm wide)

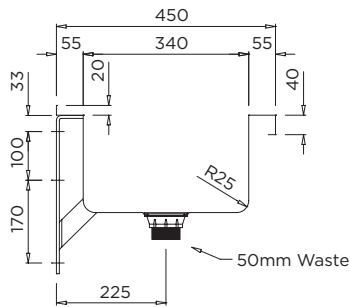
## TP7-IW

Inset style (600mm wide)

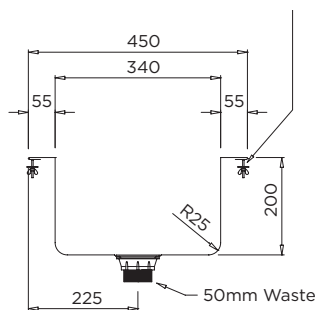
4.17

TROUGHS

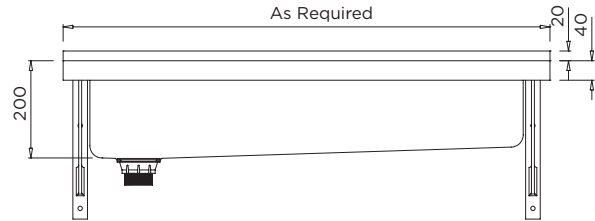
#TP7 / PRACTICAL TROUGH



MODEL TP7 - F Section



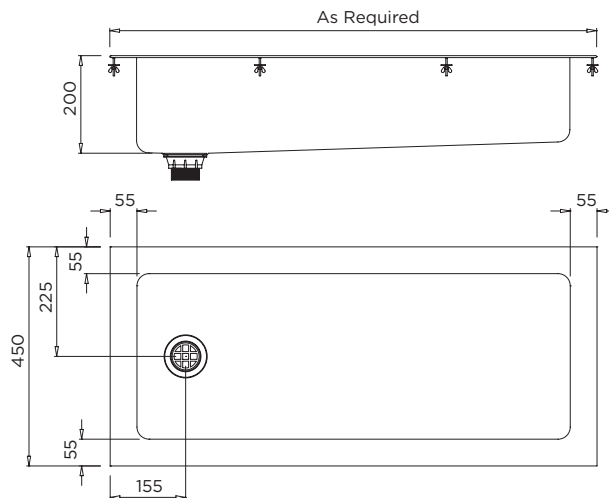
MODEL TP7 - I Section



Troughs over 2000mm long are supplied with a centre support bracket



MODEL TP7 - F Front Elevation and Plan



MODEL TP7 - I Front Elevation and Plan

**When specifying this product please include:**



- Product **Name** and **Code**
- Product **Dimensions**
- **Tapware** details (if required)
- Position of **Waste Outlet** (left/right)



- Extended rear hob to accommodate tapware (80mm)
- Tapware - See Tapware Section: 11
- Inset or Fascia styles
- 450 or 600mm widths
- Legs with Fascia styles
- Left or right hand waste outlet

VISIT [BRITEX.COM.AU](http://BRITEX.COM.AU) TO DOWNLOAD BIM FILES, CAD DRAWINGS AND THE MOST CURRENT PRODUCT LITERATURE.



Due to ongoing research and our commitment to product development, details are subject to change without notice. Details accurate at time of print. Please refer to [britex.com.au](http://britex.com.au) for the most current product information. Allow +/- 5mm tolerance for dimensions and setouts shown in product literature.

[britex.com.au](http://britex.com.au) | [info@britex.com.au](mailto:info@britex.com.au) | A.B.N 83 004 309 737

