

DISABLED PEDESTAL DRINKING FOUNTAIN

8.10

FOUNTAINS

#DDIS / DISABLED PEDESTAL DRINKING FOUNTAIN

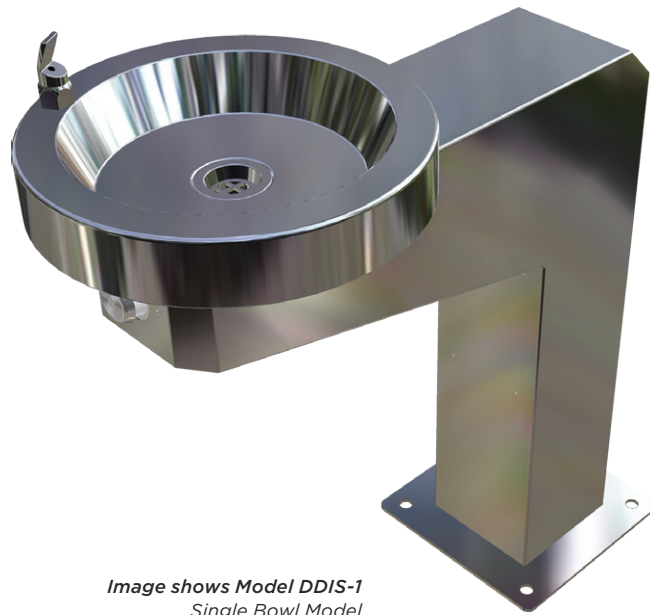


Image shows Model DDIS-1
Single Bowl Model

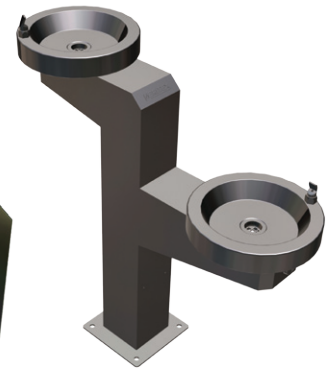


Image shows Model DDIS-2
Dual Height Model



AS-1428
COMPLIANT

Scan QR code
to view online



features and benefits

- Extremely robust and vandal resistant
- Suitable for disabled access applications
- 40mm waste outlet
- Front push, timed flow bubbler
- Single or Twin Bowl model
- Optional bottle filler tap
- Vandal resistant access hatch
- Secured to ground by integral fixing plate
- Suits public reserves, schools and sporting clubs

about

The *BRITEX Stainless Steel Disabled Pedestal Drinking Fountain* is manufactured from heavy duty grade 304 stainless steel and is supplied with a front push button, timed flow bubbler. This unit is secured to the ground with an integral 3mm stainless steel fixing plate, is fully welded with radiused corners and has a flush mount, vandal resistant maintenance hatch in the pedestal. The Disabled Pedestal Drinking Fountain is available in single bowl or dual height models.

sample spec. text

*BRITEX S.S. Disabled Pedestal Drinking Fountain **Single/Dual** Height Model - Supplied complete with 40mm waste outlet, front push button activated bubbler, integral fixing plate and removable access hatch. To be AS1428 compliant - Product Code DDIS-X*

*RED TEXT may denote a **variable** where one option only is to be selected, a **nominal dimension** that needs to be specified, or an **optional feature** that can be removed if not required. Please refer to the back of this page for additional specification details and options.

VISIT BRITEX.COM.AU TO DOWNLOAD BIM FILES, CAD DRAWINGS AND THE MOST CURRENT PRODUCT LITERATURE.



MELBOURNE
Britex Place, Mirra Crt
Bundoora VIC 3083
t (03) 9466 9000
f (03) 9466 9044

SYDNEY
16 Northumberland Drv
Taren Point NSW 2229
t (02) 9531 2100
f (02) 9531 2800

PERTH
Unit 1/8 Principal Link
Malaga WA 6090
t (08) 9249 5464
f (08) 9248 6893

BRISBANE
19 Manila St
East Brisbane QLD 4169
t (07) 3363 2400
f (07) 3363 2444

ADELAIDE
The Britex Group
SA State Office
t 1300 764 744
f 1300 784 306

britex.com.au | info@britex.com.au | A.B.N 83 004 309 737

DISABLED DRINKING FOUNTAIN

8.10

FOUNTAINS

#DDIS / DISABLED DRINKING FOUNTAIN

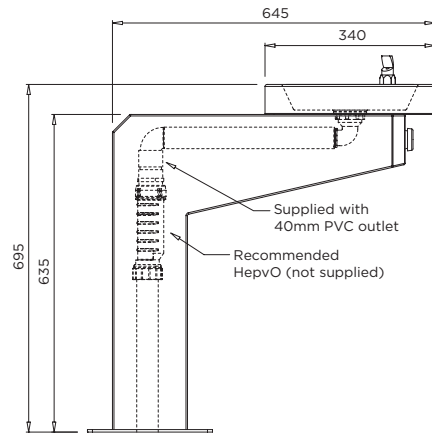
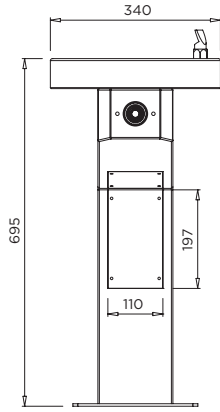
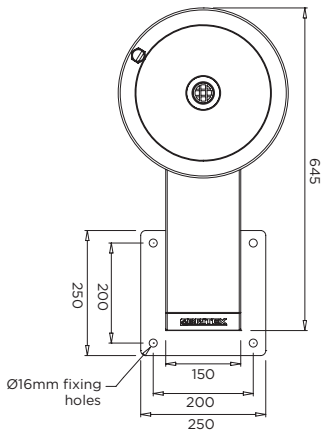
PRODUCT CODE

DDIS-1

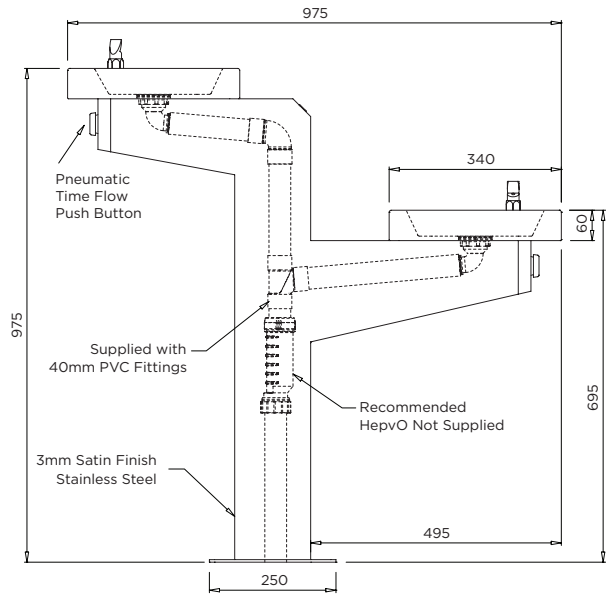
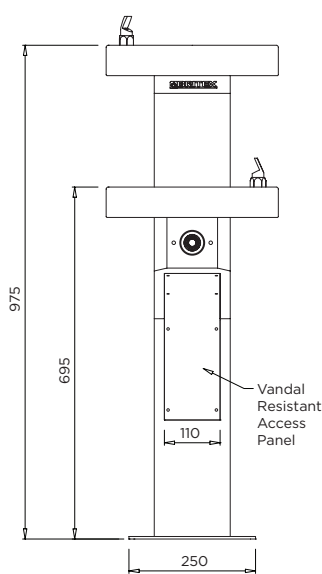
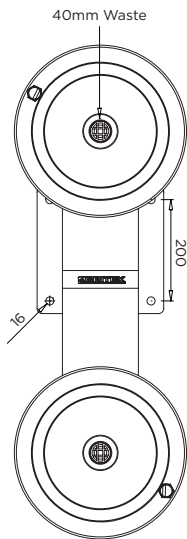
Single Bowl Model

DDIS-2

Dual Height Model



MODEL DDIS-1 Plan, Front Elevation, Side Elevation



MODEL DDIS-2 Plan, Front Elevation, Side Elevation

When specifying this product please include:

- Product Name and Code
- Product Dimensions

specifying guide

options

- Pet Bowl
- Single or Twin Bowl Model

B

VISIT BRITEX.COM.AU TO DOWNLOAD BIM FILES, CAD DRAWINGS AND THE MOST CURRENT PRODUCT LITERATURE.



britex.com.au | info@britex.com.au | A.B.N 83 004 309 737

Due to ongoing research and our commitment to product development, details are subject to change without notice. Details accurate at time of print. Please refer to britex.com.au for the most current product information. Allow +/- 5mm tolerance for dimensions and setouts shown in product literature.



Quality ISO 9001