

BENCHTECH SINGLE SINK BENCH

600mm Long with Sink and 150mm Splashback

9.42

BENCHTECH

BT-SSB-606 / BENCHTECH SINGLE SINK BENCH



features and benefits

- 304 Grade, 1.2mm Thick S.S Sink
- 304 Grade, 1.2mm Thick S.S Pipe Shelf
- 150mm Splashback
- Bowl Size: 400 x 450 x 300mm Deep
- Satin Finish
- 38mm Diameter S.S. Tube Legs
- Adjustable Feet Height
- 90mm European Waste with 50mm Connection

about

BenchTech Single Sink Benches are made from 1.2mm grade 304 stainless steel complete with a 2.0mm corrosion resistant zinc plated steel substrate. A single bowl with 90mm European Waste (50mm Connection) and 1.2mm grade 304 stainless steel pipe shelf supplied as standard. Built to true commercial specifications, the BenchTech modular system can be used for a full kitchen fit-out or integrated with custom-made Britex benches and shelves to achieve a more cost effective overall project solution. Providing absolute value for money, BenchTech is ideal for use in projects such as teaching kitchens, canteens, cafes and restaurants.

sample spec. text

BenchTech 600 Series Single Sink Bench with Sink - 600mm W x 600mm D x 900mm H. Complete with 150mm Splashback, . 400 x 450 x 300mm Bowl, 90-50mm European Basket Waste, Adjustable Fee and Pipe Undershelf - Product Code BT-SSB-606

*RED TEXT may denote a **variable** where one option only is to be selected, a **nominal dimension** that needs to be specified, or an **optional feature** that can be removed if not required. Please refer to the back of this page for additional specification details and options.

VISIT BRITEX.COM.AU TO DOWNLOAD BIM FILES, CAD DRAWINGS AND THE MOST CURRENT PRODUCT LITERATURE.



MELBOURNE
Britex Place, Mirra Crt
Bundoora VIC 3083
t (03) 9466 9000
f (03) 9466 9011

SYDNEY
16 Northumberland Drv
Taren Point NSW 2229
t (02) 9531 2100
f (02) 9531 2800

PERTH
Unit 1/8 Principal Link
Malaga WA 6090
t (08) 9249 5464
f (08) 9248 6893

BRISBANE
19 Manilla St
East Brisbane QLD 4169
t (07) 3363 2400
f (07) 3363 2444

ADELAIDE
The Britex Group
SA State Office
t 1300 764 744
f 1300 784 306

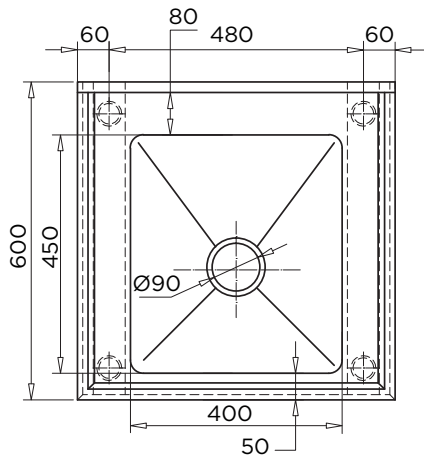
britex.com.au | info@britex.com.au | A.B.N 83 004 309 737

BENCHTECH SINGLE SINK BENCH

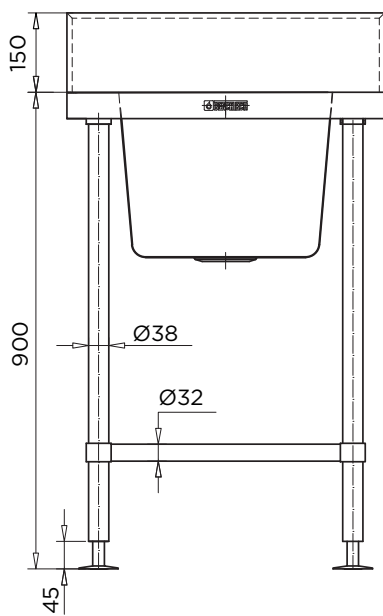
600mm Long with Sink and 150mm Splashback

PRODUCT CODE

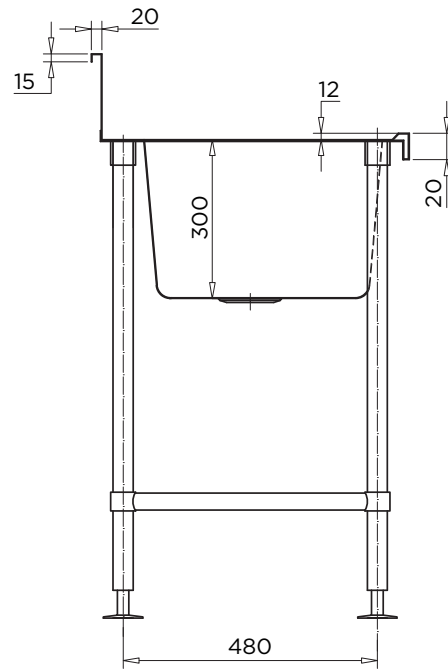
BT-SSB-606



MODEL BT-SSB-606 Plan



MODEL BT-SSB-606 Front Elevation



MODEL BT-SSB-606 Section

When specifying this product please include:

- Product **Name** and **Code**

specifying
guide

VISIT BRITEX.COM.AU TO DOWNLOAD BIM FILES, CAD DRAWINGS AND THE MOST CURRENT PRODUCT LITERATURE.