

Installation Guide

Product Code:

BTX-06-060

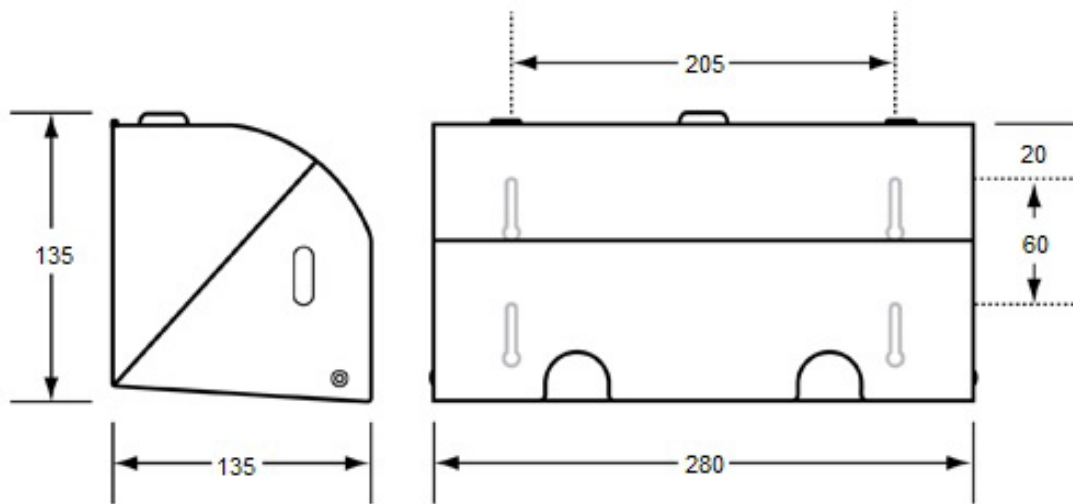
Product Name:

S.S. Contour Double Roll Toilet Paper Dispenser

Material	#304 Stainless Steel Body Single Moulded ABS Holders
Finish	Satin Stainless Steel
Mounting	Surface Mount Concealed Fix
Capacity	Holds two standard toilet rolls
Features	Unit fitted with tumbler lock Unit is supplied with 1 key



* This unit is accessible compliant when installed in accordance with AS1428.1 guidelines.



1. May be subject to Australian Building Code Regulations for height/location fixing and/or subject to placement as per architectural drawings, which in all cases is the responsibility of the installer re compliance.
2. Locate height on wall and mark via internal fixing holes onto wall, ensuring unit is level and even. Measure/Check Twice and Drill Once.
3. Drill holes and loosely secure to wall surface using supplied fixings or suitable alternative fasteners
4. Check level and tighten fixings/fasteners

NOTE: Toilet Paper (not included but recommended to use quality standard 3 ply toilet rolls) is loaded with the loose leaf facing towards the rear, with the initial roll forced past the internal spring clip; reload by removing used core, then by way of placing fingers in side holes/slots & drawing upper roll down

These units should only be installed by a competent tradesperson and Britex takes no responsibility for any damage to walls or fixtures due to incorrect installation.