

CONICAL INSET FLUSHING SINK

7.09

COMMERCIAL SINKS

#FLI2 / CONICAL INSET FLUSHING SINK



WaterMark
WM-022885
WMTS 526
BRITEX:LDUS-A, LDUS-B, FLF2
Match with Zurn Flush Valve ZH-6152XL
4.5L

Scan QR code
to view online



features and benefits

- Integral flange around top of bowl
- Insets into almost any solid surface
- 1.2mm grade 304 or 316 S.S.
- Quickly & hygienically disposes of liquid and solid waste
- Commonly used in food processing and medical facilities
- Can be used as wine spittoon
- Concealed internal flushing rim
- All internal bowl surfaces are flushed
- Can be made to custom sizes
- OEM model supplied without flange

about

BRITEX Stainless Steel Inset Flushing Sinks are supplied with a flange around the top of the bowl allowing them to be inset into almost any solid surface. Fabricated from 1.2mm commercial grade 304 or acid resisting grade 316 satin finish stainless steel, the conical shaped bowl includes a concealed perforated tube around the top of the bowl that can be 'flushed' when connected to a flush valve – such as an In-wall cistern and provides efficient, hygienic removal of liquid waste from all internal bowl surfaces. *BRITEX Stainless Steel Inset Flushing Sinks* are available with either a 50mm or 100mm dropper waste and are common place in health projects and aged care facilities or in wineries, where they are used as a wine spittoon. An OEM version of this product - without top flange - can be supplied for welding into bench tops by others.

sample spec. text

BRITEX grade 304/316 S.S. Inset Flushing Sink - Conical/Rectangular flushing bowl with 50/100mm waste connection - Product Code FLIX

*RED TEXT may denote a **variable** where one option only is to be selected, a **nominal dimension** that needs to be specified, or an **optional feature** that can be removed if not required. Please refer to the back of this page for additional specification details and options.

VISIT BRITEX.COM.AU TO DOWNLOAD BIM FILES, CAD DRAWINGS AND THE MOST CURRENT PRODUCT LITERATURE.



MELBOURNE
Britex Place, Mirra Crt
Bundoora VIC 3083
t (03) 9466 9000
f (03) 9466 9044

SYDNEY
16 Northumberland Drv
Taren Point NSW 2229
t (02) 9531 2100
f (02) 9531 2800

PERTH
Unit 1/8 Principal Link
Malaga WA 6090
t (08) 9249 5464
f (08) 9248 6893

BRISBANE
19 Manilla St
East Brisbane QLD 4169
t (07) 3363 2400
f (07) 3363 2444

ADELAIDE
The Britex Group
SA State Office
t 1300 764 744
f 1300 784 306

britex.com.au | info@britex.com.au | A.B.N 83 004 309 737

CONICAL INSET FLUSHING SINK

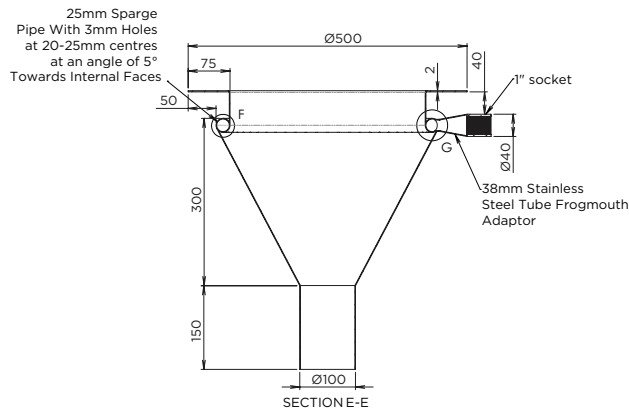
PRODUCT CODE

FLI 2 Conical Bowl

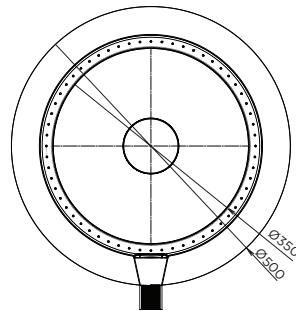
Suggested Tapware:



TW-ST5
Slophopper Trigger Spray



MODEL FLI2 Section



MODEL FLI2 Plan

When specifying this product please include:

specifying guide

- Product **Name** and **Code**
- Product **Dimensions**
- **Grade** of Stainless Steel (304 or 316)
- **Waste Size** - 50mm or 100mm

options

- Grade 304 or 316 S.S.
- 50mm or 100mm outlet
- Waste Size - 50mm or 100mm
- Grate for waste outlet (suits liquid waste disposal only)

VISIT BRITEX.COM.AU TO DOWNLOAD BIM FILES, CAD DRAWINGS AND THE MOST CURRENT PRODUCT LITERATURE.

Last Revised 2019



Due to ongoing research and our commitment to product development, details are subject to change without notice. Details accurate at time of print. Please refer to britex.com.au for the most current product information. Allow +/- 5mm tolerance for dimensions and setouts shown in product literature.

britex.com.au | info@britex.com.au | A.B.N 83 004 309 737

