

WALL HUNG URINAL TROUGH



WELS Reg #U00494



*Image shows Model UTRO-1200-L-T
1200mm Wall Hung Urinal Trough, Left Hand Waste and Top Entry*

features and benefits

- WELS and WaterMark certified
- Left or Right hand 50mm outlet
- Standard and custom lengths
- Supplied with top or rear water inlet
- Quick and easy to install
- Suited to portable buildings and public amenities

about

The **BRITEX Wall Hung Urinal Trough** is manufactured from 1.2mm heavy duty stainless steel and is ideal for site sheds, portable buildings and ablution blocks. Easy to install and compatible with assorted Britex flushing systems, the Britex Wall Hung Urinal Trough comes in both standard and custom sizes. WaterMark and WELS certified as required by plumbing regulations and government legislation.

sample spec. text

BRITEX S.S. Wall Hung Urinal Trough - XXXXmm Long. WELS rating and WaterMark Level 1 certified. Radiused internal Corners. Top/rear water inlet and 50mm left/right hand waste outlet - Product Code UTRO-XXXX-X-X

*RED TEXT may denote a **variable** where one option only is to be selected, a **nominal dimension** that needs to be specified, or an **optional feature** that can be removed if not required. Please refer to the back of this page for additional specification details and options.

VISIT BRITEX.COM.AU TO DOWNLOAD BIM FILES, CAD DRAWINGS AND THE MOST CURRENT PRODUCT LITERATURE.



MELBOURNE
Britex Place, Mirra Crt
Bundoora VIC 3083
t (03) 9466 9000
f (03) 9466 9011

SYDNEY
16 Northumberland Drv
Taren Point NSW 2229
t (02) 9531 2100
f (02) 9531 2800

PERTH
Unit 1/8 Principal Link
Malaga WA 6090
t (08) 9249 5464
f (08) 9248 6893

BRISBANE
19 Manila St
East Brisbane QLD 4169
t (07) 3363 2400
f (07) 3363 2444

ADELAIDE
The Britex Group
SA State Office
t 1300 764 744
f 1300 784 306

britex.com.au | info@britex.com.au | A.B.N 83 004 309 737

WALL HUNG URINAL TROUGH

PRODUCT CODE

UTRO

HOW TO SPECIFY: Wall Hung Urinal Trough

Sample Specification Code

A B C D
UTRO - 1500 - R - T

= Wall Hung Urinal Trough, 1500mm Long, Right Hand Waste, Top Entry

Specification Key

A = Product Code	D = Water Entry Type
B = Urinal Length (mm)	T : Top Entry
C = Waste Outlet Position	R : Rear Entry
L : Left Hand Waste	
R : Right Hand Waste	

Water Inlets for Urinals:

One water inlet is required for every 1800mm of Urinal, or part thereof.

e.g. 600mm - 1800mm = 1 inlet
1801mm - 3600mm = 2 inlets
3601mm - 5400mm = 3 inlets

Standard Sizes:

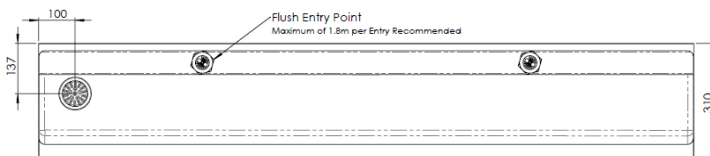
900, 1200, 1500, 1800, 2400mm

Suggested Mounting Heights:

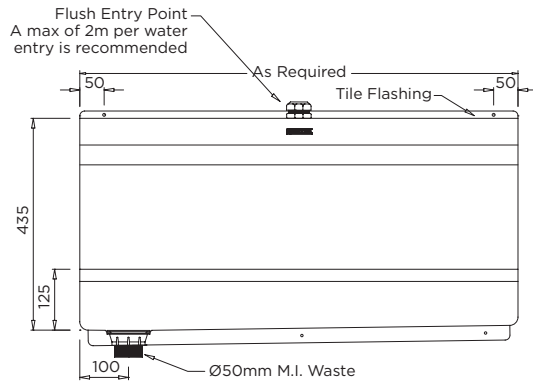
Dimension from finished floor to front edge/rim of urinal

Adults - 610 mm // Juniors - 510 mm

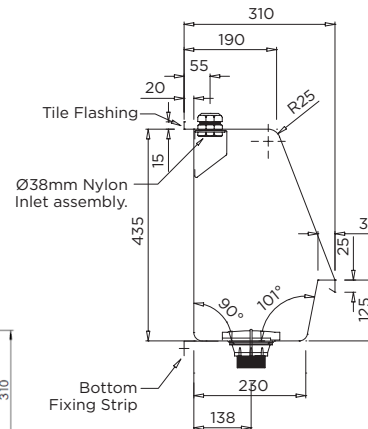
NB: Heights are suggestions only, subject to suitability of users for each individual project.



MODEL UTRO Plan



MODEL UTRO Front Elevation



Please note: Rear water entry assembly (where required) will extend past back of unit.

MODEL UTRO Section

specifying guide

When specifying this product please include:

- Product Name and Code
- Product Length
- Position of Waste (left or right)
- Top or rear Water Entry

options

- Top or rear water entry
- Outlet position - left or right
- Custom lengths
- Flushing system - see Flushing Section: 3
- Removable shroud to conceal waste connection

VISIT BRITEX.COM.AU TO DOWNLOAD BIM FILES, CAD DRAWINGS AND THE MOST CURRENT PRODUCT LITERATURE.

Last Revised Feb 2024 | B



Due to ongoing research and our commitment to product development, details are subject to change without notice. Details accurate at time of print. Please refer to britex.com.au for the most current product information. Allow +/- 5mm tolerance for dimensions and setouts shown in product literature.



britex.com.au | info@britex.com.au | A.B.N 83 004 309 737

Quality
ISO 9001