

# REGENCY URINAL



*Image shows Recessed Regency Urinal.*

*Floor Mounted Model is supplied with a kick plate.*

## features and benefits

- WELS and WaterMark certified
- Recessed or floor mounted models
- Hinged floor grate for easy cleaning
- Compatible with BRITEX sensor flush systems
- Vandal resistant design
- Water-saver sparge system
- Manufactured to custom lengths
- Available in 'L' and 'U' shape configurations

## about

The **BRITEX Regency Urinal** is the most hygienic stainless steel urinal in the BRITEX hinged grate range. With the same extensive list of benefits as the Sanistep urinal, the Regency features protecting side walls that may otherwise be exposed to water/fluid damage after being installed for an extended period of time. The Regency is particularly suited to schools, night clubs and public amenity buildings. WaterMark and WELS certified as required by plumbing regulations and government legislation.

## sample spec. text

*BRITEX S.S. Recessed/Floor Mounted Regency Urinal - XXXXmm Long. WELS rating and WaterMark Level 1 certified. Complete with BRITEX Smart SaniFlush Sensor System - Product Code UREG*

\*RED TEXT may denote a **variable** where one option only is to be selected, a **nominal dimension** that needs to be specified, or an **optional feature** that can be removed if not required. Please refer to the back of this page for additional specification details and options.

VISIT [BRITEX.COM.AU](http://BRITEX.COM.AU) TO DOWNLOAD BIM FILES, CAD DRAWINGS AND THE MOST CURRENT PRODUCT LITERATURE.



**MELBOURNE**  
Britex Place, Mirra Crt  
Bundoora VIC 3083  
t (03) 9466 9000  
e vic@britex.com.au

**SYDNEY**  
16 Northumberland Drv  
Taren Point NSW 2229  
t (02) 9531 2100  
e nsw@britex.com.au

**PERTH**  
Unit 1/8 Principal Link  
Malaga WA 6090  
t (08) 9249 5464  
e wa@britex.com.au

**BRISBANE**  
19 Manilla St  
East Brisbane QLD 4169  
t (07) 3363 2400  
e qld@britex.com.au

**ADELAIDE**  
The Britex Group  
SA State Office  
t 1300 764 744  
e sa@britex.com.au

[britex.com.au](http://britex.com.au) | [info@britex.com.au](mailto:info@britex.com.au) | A.B.N 83 004 309 737

# REGENCY URINAL

PRODUCT CODE

## UREG

### HOW TO SPECIFY: Regency Urinal

#### Sample Specification Code

A B C D E F  
**UREG - 1800 - RE - R - 100 - L**

= Regency Urinal, 1800mm Long, Recessed, Rear Entry, 100mm Left Hand Waste

#### Specification Key

<b>A = Product Code</b>	<b>E = Waste Outlet Size</b> 100 : 100mm
<b>B = Urinal Length (mm)</b>	
<b>C = Mounting Options</b> FM : Floor Mounted RE : Recessed	<b>F = Waste Outlet Position</b> L : Left Hand Waste R : Right Hand Waste
<b>D = Entry Point</b> T : Top Entry R : Rear Entry	

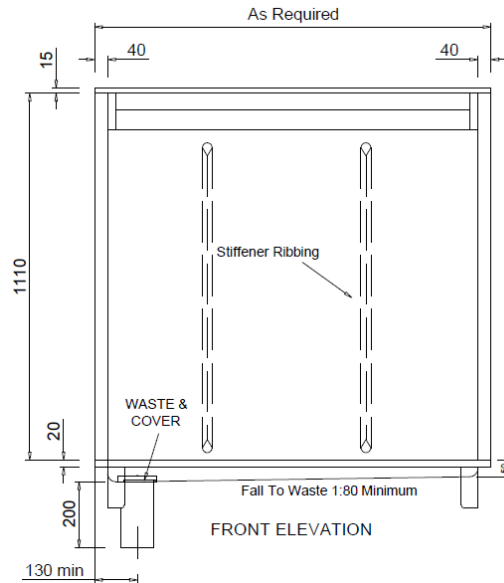
### Water Inlets for Urinals:

One water inlet is required for every 1800mm of Urinal, or part thereof.

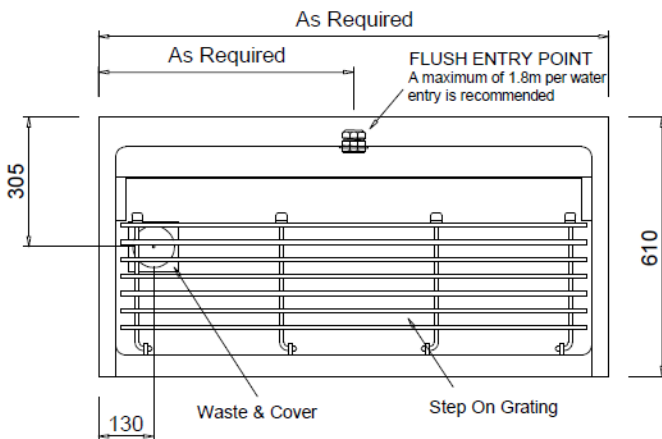
e.g. 600mm - 1800mm = 1 inlet  
 1801mm - 3600mm = 2 inlets  
 3601mm - 4800mm = 3 inlets

### Standard sizes:

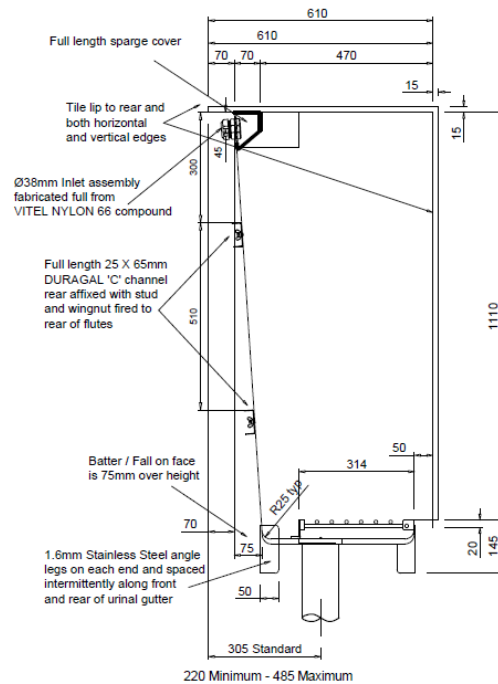
1500mm, 1800mm, 2000mm, 2400mm



MODEL UREG Front Elevation



MODEL UREG Plan



Recommended floor cut out for recessed model is 650W x 160D x Urinal Length

MODEL UREG Typical Section (Recessed Model)

### When specifying this product please include:

- Product Name and Code
- Product Length
- Recessed or Floor Mounted
- Top or rear Water Entry
- Size and position of Outlet

specifying guide

options

- 'L' and 'U' shaped configuration
- Smart SaniFlush Sensor System: pg 3.01
- Outlet size: 100mm or custom
- Outlet position (left/right end preferred)
- Inlet size - 38mm
- Free standing ends (if not between walls)
- Type 316 S.S. (Export models)
- Joining strip for joining modular lengths

VISIT [BRITEX.COM.AU](http://BRITEX.COM.AU) TO DOWNLOAD BIM FILES, CAD DRAWINGS AND THE MOST CURRENT PRODUCT LITERATURE.

Last Revised Mar 24 | Revision E



Due to ongoing research and our commitment to product development, details are subject to change without notice. Details accurate at time of print. Please refer to [britex.com.au](http://britex.com.au) for the most current product information. Allow +/- 5mm tolerance for dimensions and setouts shown in product literature.



[britex.com.au](http://britex.com.au) | [info@britex.com.au](mailto:info@britex.com.au) | A.B.N 83 004 309 737