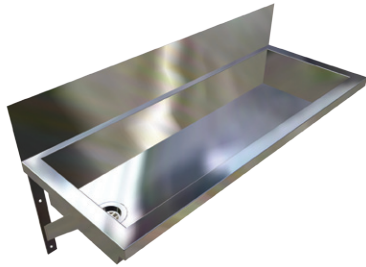


# Pattern Trough No.3

## TP3



Scan QR code to view our installation notes

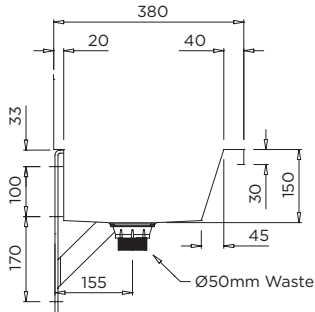


### Product Info:

- Economy model with extended splashback
- Made to custom lengths
- Commercial grade 304 S.S.
- Wall brackets and 50mm waste supplied

### To order this item please advise:

- Trough length
- Waste position – Left or Right
- Tap quantity and code (if required)



### INSTALLATION NOTES

- 1) Fixture strength is ultimately determined by the load capacity of the supporting structure (nogginns recommended for stud wall construction) and use of appropriate fixings (i.e. sleeve anchors for masonry walls).
- 2) Trough is mounted to wall via two end brackets (inserted into end fascias of trough).
- 3) A centre bracket that supports the underside of the fixture is supplied for troughs over 2000mm.
- 4) To further secure the trough to the rear wall and to prevent shifting of the brackets once screws have been tightened, an adhesive tape or silicon can be applied to the rear tile flange and to the underside of the end fascia where it is in contact with the bracket.
- 5) Screw holes may also be drilled near the top of the rear splashback if desired.
- 6) Front support legs supplied only by specific request.

### Suggested Tapware:

(see Tapware Section: 11 for complete range of options)



**TW-0007**  
Top Activated Timed Flow Bib Tap



**TW-0048**  
Top Lever Timed Flow Bib Tap



**TW-9106**  
Front Lever Timed Flow Bib Tap



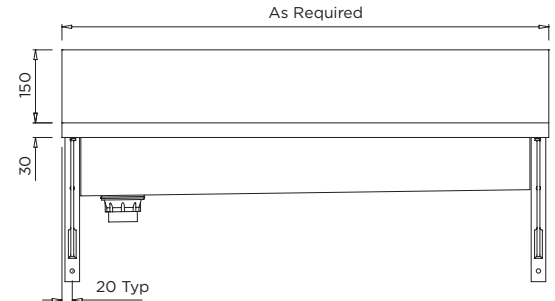
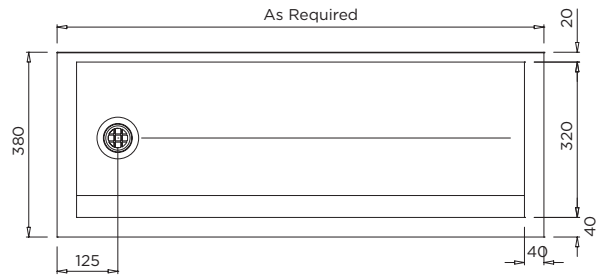
**TW-9104**  
Timed Flow Bib Tap



**TW-9203**  
Deluxe Timed Flow Bib Tap



**TW-SET-01**  
Wall Mounted Tap Set



Troughs over 2000mm long are supplied with a centre support bracket