

WALL MOUNTED SENSOR TAP WITH 225MM SPOUT



WELS REG # T28168



features and benefits

- Hands Free
- Timed Flow
- Spout Outlet Size (275mm, 225mm)
- Ideally matched with Britex Surgeon's Scrub Trough - TST (225mm spout as standard)
- Ideal for health care facilities, food preparation areas, care facilities and public washrooms.

about

Technologically advanced, hands free tapware, BRITEX Wall Mounted Sensor Tap with 165mm Spout is designed to reduce the risk of disease caused by cross contamination when operating tapware. Operation occurs when a hand or object passes within 50-100mm on the sensor. 5 Star WELS rated spout. Water then flows from the outlet until the pre selected time cycle has expired. Alternatively the flow can be terminated at any time by passing a hand or object in front of the sensor again. Ideal for health care facilities, food preparation areas, care facilities and in public washrooms.

sample spec. text

Britex Wall Mounted Sensor Tap with 225mm Spout - Product Code: TW-WMS225

*RED TEXT may denote a **variable** where one option only is to be selected, a **nominal dimension** that needs to be specified, or an **optional feature** that can be removed if not required. Please refer to the back of this page for additional specification details and options.

VISIT BRITEX.COM.AU TO DOWNLOAD BIM FILES, CAD DRAWINGS AND THE MOST CURRENT PRODUCT LITERATURE.



MELBOURNE
Britex Place, Mirra Crt
Bundoora VIC 3083
t (03) 9466 9000
f (03) 9466 9044

SYDNEY
16 Northumberland Drv
Taren Point NSW 2229
t (02) 9531 2100
f (02) 9531 2800

PERTH
Unit 1/8 Principal Link
Malaga WA 6090
t (08) 9249 5464
f (08) 9248 6893

BRISBANE
19 Manilla St
East Brisbane QLD 4169
t (07) 3363 2400
f (07) 3363 2444

ADELAIDE
The Britex Group
SA State Office
t 1300 764 744
f 1300 784 306

britex.com.au | sales@britex.com.au | A.B.N 83 004 309 737

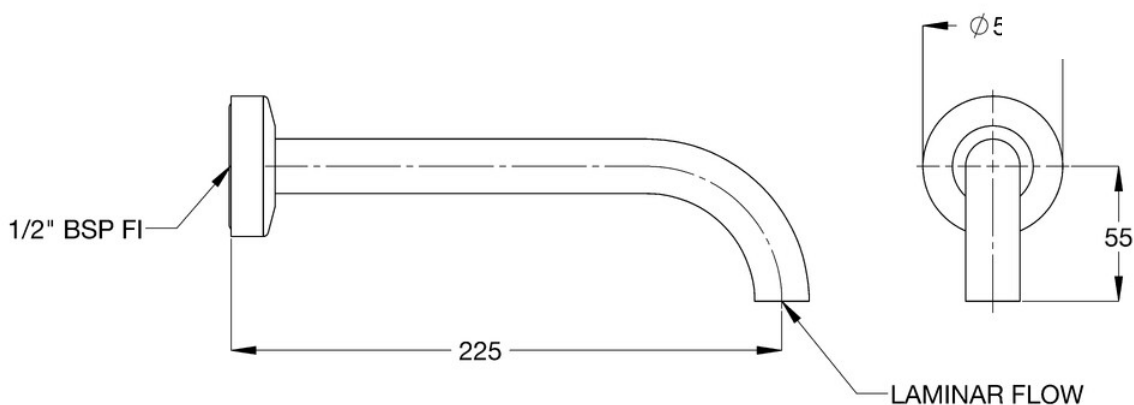
WALL MOUNTED SENSOR TAP WITH 225MM SPOUT

PRODUCT CODE

TW-WMS225



WELS: 5 Star Rating (5.5L/min)
Nominal Flow Rate (LPM): 5.0
WaterMark: AS/NZS 3718 Lic. WMKA0034
Inlet: 1/2" BSP - Female
Outlet: Laminar Flow Aerator
Working Pressure Range (kPa): 50 Min to 500 Max
Working Temperature Range (°C): 5 Min - 80 Max
Finish: Chrome



When specifying this product please include:

- Product Name and Code

VISIT BRITEX.COM.AU TO DOWNLOAD BIM FILES, CAD DRAWINGS AND THE MOST CURRENT PRODUCT LITERATURE.

Last Revised Dec 2023



Due to ongoing research and our commitment to product development, details are subject to change without notice. Details accurate at time of print. Please refer to britex.com.au for the most current product information. Allow +/- 5mm tolerance for dimensions and setouts shown in product literature.

britex.com.au | sales@britex.com.au | A.B.N 83 004 309 737

