

ANTI-VANDAL TIMED FLOW SHOWER SET



WELS REG # S11275



features and benefits

- Anti Vandal
- Suitable for public amenities and institutional projects
- Timed Flow (15 Seconds)
- Chrome plated
- Concealed shower control
- Low maintenance and easy to operate

about

BRITEX Anti-Vandal Timed Flow Shower Set is water-saving with timed flow features and is anti-vandal and constructed from dezincification-resistant brass. Tapware paired perfectly with Britex shower columns for public and security settings.

sample spec. text

Britex Anti-Vandal Timed Flow Shower Set - Product Code: TW-SET-07

*RED TEXT may denote a **variable** where one option only is to be selected, a **nominal dimension** that needs to be specified, or an **optional feature** that can be removed if not required. Please refer to the back of this page for additional specification details and options.

VISIT BRITEX.COM.AU TO DOWNLOAD BIM FILES, CAD DRAWINGS AND THE MOST CURRENT PRODUCT LITERATURE.



MELBOURNE
Britex Place, Mirra Crt
Bundoora VIC 3083
t (03) 9466 9000
f (03) 9466 9044

SYDNEY
16 Northumberland Drv
Taren Point NSW 2229
t (02) 9531 2100
f (02) 9531 2800

PERTH
Unit 1/8 Principal Link
Malaga WA 6090
t (08) 9249 5464
f (08) 9248 6893

BRISBANE
19 Manilla St
East Brisbane QLD 4169
t (07) 3363 2400
f (07) 3363 2444

ADELAIDE
The Britex Group
SA State Office
t 1300 764 744
f 1300 784 306

britex.com.au | sales@britex.com.au | A.B.N 83 004 309 737

ANTI-VANDAL TIMED FLOW SHOWER SET

PRODUCT CODE

TW-SET-07



WaterMark: AS/NZS 3718 Lic. WKMA0034

Inlet: 1/2" BSP - Female

Outlet: 1/2" BSP - Male

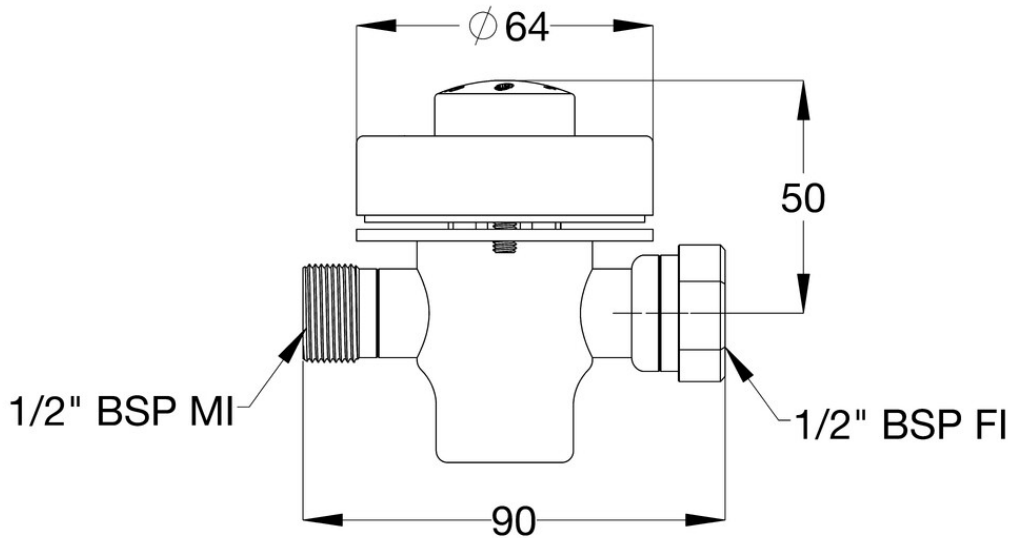
Headwork: Time Flow Cartridge

Working Pressure Range (kPa): 00 Min - 500 Max

Working Temperature Range (°C): 5 Min - 65 Max

Construction: Lead Safe™ DZR Brass

Finish: Chrome



When specifying this product please include:

- Product Name and Code

VISIT BRITEX.COM.AU TO DOWNLOAD BIM FILES, CAD DRAWINGS AND THE MOST CURRENT PRODUCT LITERATURE.

Last Revised Dec 2023



Due to ongoing research and our commitment to product development, details are subject to change without notice. Details accurate at time of print. Please refer to britex.com.au for the most current product information. Allow +/- 5mm tolerance for dimensions and setouts shown in product literature.

britex.com.au | sales@britex.com.au | A.B.N 83 004 309 737

