

WALL MOUNTED SINK SET WITH GOOSENECK SWIVEL



WELS REG # T09995



features and benefits

- Commercial quality tapware
- Fixed and swivel spout models available
- Heavy duty bright CP finish
- WaterMark and WELS certified
- Vandal resistant aerator
- Complies with NSW Education EFSG Guidelines
- Standard with jumper valve
- Ideal for pairing with BRITEX troughs, sinks and basins

about

Wall mounted sink sets offered by BRITEX have been selected to complement specific BRITEX stainless steel troughs, sinks and basins. The wall mounted tap sets we supply are commercial quality, highly vandal resistant, have a heavy duty CP finish and are both WELS and WaterMark certified. These wall mounted sink sets are ideally suited to commercial project applications such as schools, public amenities and factories.

sample spec. text

Wall Mounted Sink Set with Gooseneck Swivel- Product Code: TW-SET-05

*RED TEXT may denote a **variable** where one option only is to be selected, a **nominal dimension** that needs to be specified, or an **optional feature** that can be removed if not required. Please refer to the back of this page for additional specification details and options.

VISIT BRITEX.COM.AU TO DOWNLOAD BIM FILES, CAD DRAWINGS AND THE MOST CURRENT PRODUCT LITERATURE.



MELBOURNE
Britex Place, Mirra Crt
Bundoora VIC 3083
t (03) 9466 9000
f (03) 9466 9044

SYDNEY
16 Northumberland Drv
Taren Point NSW 2229
t (02) 9531 2100
f (02) 9531 2800

PERTH
Unit 1/8 Principal Link
Malaga WA 6090
t (08) 9249 5464
f (08) 9248 6893

BRISBANE
19 Manilla St
East Brisbane QLD 4169
t (07) 3363 2400
f (07) 3363 2444

ADELAIDE
The Britex Group
SA State Office
t 1300 764 744
f 1300 784 306

britex.com.au | sales@britex.com.au | A.B.N 83 004 309 737

WALL MOUNTED SINK SET WITH GOOSENECK SWIVEL

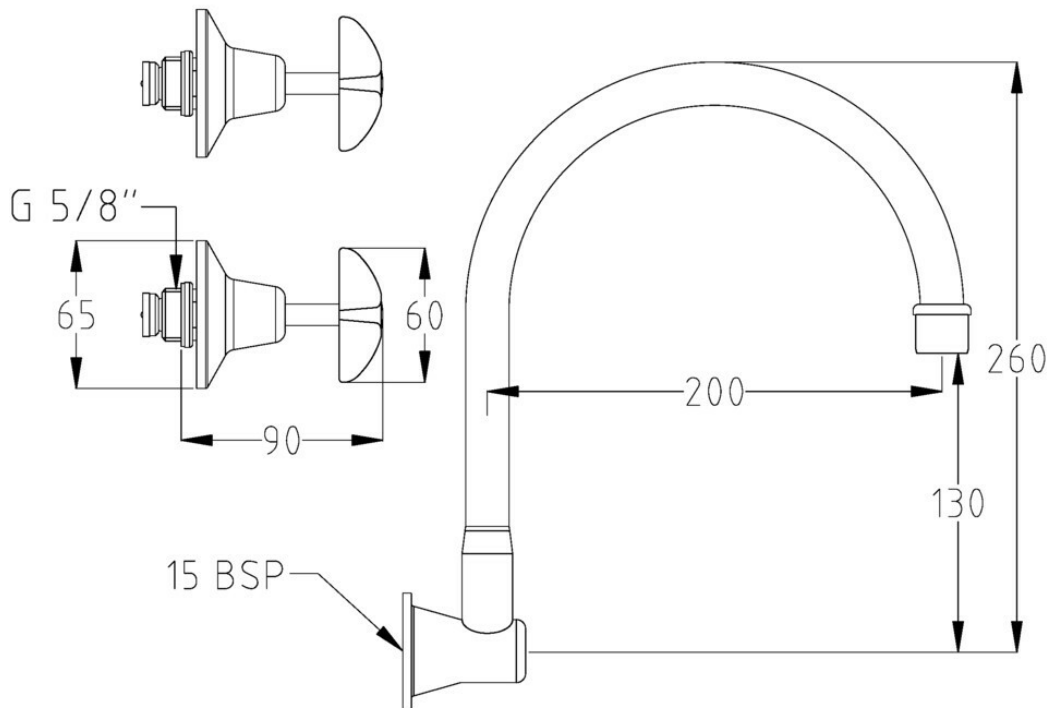
PRODUCT CODE

TW-SET-05



technical information

WELS: 5 Star Rating (6L/min)
Nominal Flow Rate (LPM): 5.8
WaterMark: AS/NZS 3718 Lic. WMKA0034
Inlet: 15 BSP - Female
Outlet: Aerator
Headwork: Jumper valve
Working Pressure Range (kPa): 100 Min - 500 Max
Working Temperature Range (°C): 5 Min - 70 Max



specifying guide

When specifying this product please include:

- Product Name and Code

VISIT BRITEX.COM.AU TO DOWNLOAD BIM FILES, CAD DRAWINGS AND THE MOST CURRENT PRODUCT LITERATURE.

Last Revised Dec 2023



Due to ongoing research and our commitment to product development, details are subject to change without notice. Details accurate at time of print. Please refer to britex.com.au for the most current product information. Allow +/- 5mm tolerance for dimensions and setouts shown in product literature.

britex.com.au | sales@britex.com.au | A.B.N 83 004 309 737

