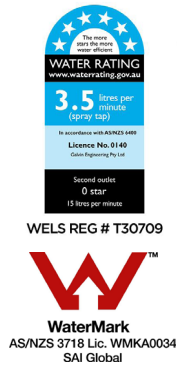


KITCHEN TAPWARE: PRE RINSE SPRAYS- WALL MOUNTED-WITH POT FILLER



features and benefits

- Wall mounted and hob mounted models
- Optional pot filler
- Robust trigger spray
- 1/4 turn ceramic disc hot and cold control taps
- 1000mm long high pressure hose
- Vibration resistant wall bracket
- Certified to AS/NZS 3718
- WELS and WaterMark certified
- Premium quality

about

Pre-rinse sprays offered by BRITEX have been selected to complement stainless steel sinks, benches, basins and troughs within the Britex range. The pre-rinse sprays we supply are sourced from Galvin Engineering, one of Australia's most respected manufacturers of commercial tapware. Pre-rinse sprays are robust in design and built to last, made from the highest quality materials. Pre-rinse sprays comply with all relevant standards including AS/NZS 3718 and are tested for cleanability to ASTM F2324-03 at 21.46 seconds. The pot filler attachment on pre-rinse sprays is WELS 0* rated to allow for fast pot filling. We are proud to offer these premium quality taps in conjunction with our own first class fixtures.

sample spec. text

Britex Kitchen Tapware: Pre Rinse Sprays-Wall Mounted-With Pot Filler - Product Code: TW-PR-WMP

*RED TEXT may denote a **variable** where one option only is to be selected, a **nominal dimension** that needs to be specified, or an **optional feature** that can be removed if not required. Please refer to the back of this page for additional specification details and options.

VISIT BRITEX.COM.AU TO DOWNLOAD BIM FILES, CAD DRAWINGS AND THE MOST CURRENT PRODUCT LITERATURE.



MELBOURNE
Britex Place, Mirra Crt
Bundoora VIC 3083
t (03) 9466 9000
f (03) 9466 9044

SYDNEY
16 Northumberland Drv
Taren Point NSW 2229
t (02) 9531 2100
f (02) 9531 2800

PERTH
Unit 1/8 Principal Link
Malaga WA 6090
t (08) 9249 5464
f (08) 9248 6893

BRISBANE
19 Manilla St
East Brisbane QLD 4169
t (07) 3363 2400
f (07) 3363 2444

ADELAIDE
The Britex Group
SA State Office
t 1300 764 744
f 1300 784 306

britex.com.au | sales@britex.com.au | A.B.N 83 004 309 737

KITCHEN TAPWARE: PRE RINSE SPRAYS -WALL MOUNTED-WITH POT FILLER

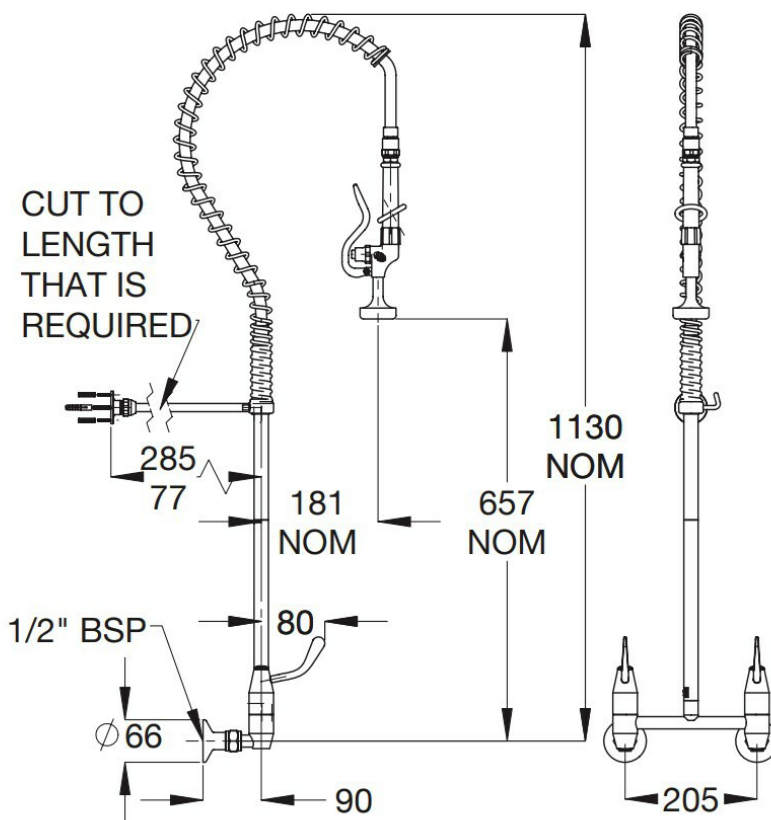
PRODUCT CODE

TW-PR-WMP



technical
information

WELS: 6 Star Rating (3.5L/min)
Nominal Flow Rate (LPM): 3.4
WaterMark: AS/NZS 3718 Lic. WMKA0034
Inlet: 1/2" BSP - Female
Outlet: Trigger Spray
Headworks: Jumper Valve
Working Pressure Range (kPa): 100 Min - 500 Max
Maximum Working Temperature (°C): 5 Min - 65 Max
Construction: Brass
Finish: Chrome



specifying
guide

When specifying this product please include:

- Product Name and Code

VISIT BRITEX.COM.AU TO DOWNLOAD BIM FILES, CAD DRAWINGS AND THE MOST CURRENT PRODUCT LITERATURE.

Last Revised Dec 2023



Due to ongoing research and our commitment to product development, details are subject to change without notice. Details accurate at time of print. Please refer to britex.com.au for the most current product information. Allow +/- 5mm tolerance for dimensions and setouts shown in product literature.

britex.com.au | sales@britex.com.au | A.B.N 83 004 309 737



TAPWARE

#TW-PR-WMP / KITCHEN TAPWARE: PRE RINSE SPRAYS-WALL MOUNTED