

# WALL MOUNTED SURGICAL SET - GOOSENECK SWIVEL/CERAMIC



## features and benefits

- WELS and WaterMark certified
- Australian made
- Premium quality
- Laminar flow nozzle
- Patented inlet isolation valve with removable bucket filters
- Sleek and ergonomic designs
- Hands-free operation
- Fully enclosed componentry provides greater infection control
- Single dual temperature sets
- Heavy duty CP finish
- Robust construction

## about

Medical tapware offered by BRITEX has been selected to complement specific basins, sinks and troughs within the Britex range. The medical tapware we supply is sourced from Galvin Engineering, one of Australia's most respected manufacturers of tapware for healthcare projects and is designed to provide a long life of high performance and minimise the risk of infection and germ contamination. All components are fully enclosed to avoid build-up of contaminants and patented inlet isolation valves with built-in removable bucket filters that allow easier maintenance and cleaning. Sleek and ergonomic designed handles allow hands free operation by either the elbow, forearm or wrist and are well suited to the different user groups within hospitals aged care facilities and medical centres.

## sample spec. text

*Britex Wall Mounted Surgical Set - Gooseneck Swivel/Ceramic - Product Code: TW-MT-51SC1*

\*RED TEXT may denote a **variable** where one option only is to be selected, a **nominal dimension** that needs to be specified, or an **optional feature** that can be removed if not required. Please refer to the back of this page for additional specification details and options.

VISIT [BRITEX.COM.AU](http://BRITEX.COM.AU) TO DOWNLOAD BIM FILES, CAD DRAWINGS AND THE MOST CURRENT PRODUCT LITERATURE.



**MELBOURNE**  
Britex Place, Mirra Crt  
Bundoora VIC 3083  
t (03) 9466 9000  
f (03) 9466 9044

**SYDNEY**  
16 Northumberland Drv  
Taren Point NSW 2229  
t (02) 9531 2100  
f (02) 9531 2800

**PERTH**  
Unit 1/8 Principal Link  
Malaga WA 6090  
t (08) 9249 5464  
f (08) 9248 6893

**BRISBANE**  
19 Manilla St  
East Brisbane QLD 4169  
t (07) 3363 2400  
f (07) 3363 2444

**ADELAIDE**  
The Britex Group  
SA State Office  
t 1300 764 744  
f 1300 784 306

[britex.com.au](http://britex.com.au) | [sales@britex.com.au](mailto:sales@britex.com.au) | A.B.N 83 004 309 737

# WALL MOUNTED SURGICAL SET - GOOSENECK SWIVEL/CERAMIC

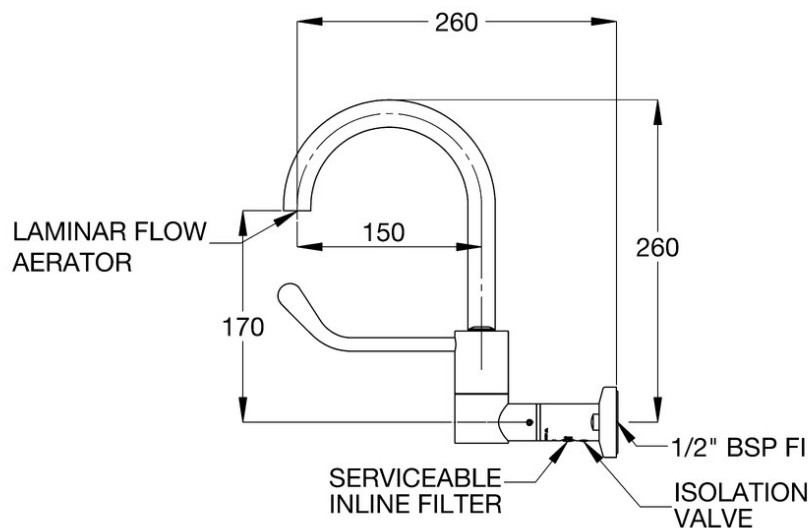
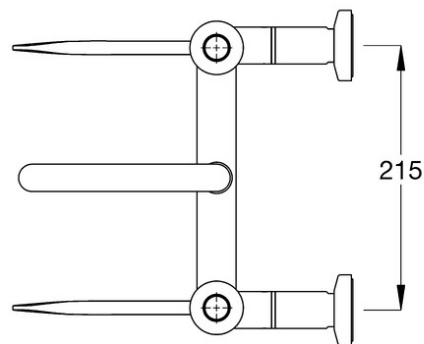
PRODUCT CODE

## TW-MT-51SC1



technical  
information

**WELS:** 5 Star Rating (5.5L/min)  
**Nominal Flow Rate (LPM):** 5.27  
**WaterMark:** AS/NZS 3718 Lic. WMKA0034  
**Inlet:** 1/2" BSP - Male  
**Outlet:** Laminar Flow  
**Headwork:** Ceramic Disc  
**Working Pressure Range (kPa):** Min 50 - Max 500  
**Working Temperature Range (°C):** Min 5 - Max 65  
**Construction:** Brass  
**Finish:** Chrome



specifying  
guide

When specifying this  
product please include:

- Product Name and Code

VISIT [BRITEX.COM.AU](http://BRITEX.COM.AU) TO DOWNLOAD BIM FILES, CAD DRAWINGS AND THE MOST CURRENT PRODUCT LITERATURE.

Last Revised Dec 2023



Due to ongoing research and our commitment to product development, details are subject to change without notice. Details accurate at time of print. Please refer to [britex.com.au](http://britex.com.au) for the most current product information. Allow +/- 5mm tolerance for dimensions and setouts shown in product literature.

[britex.com.au](http://britex.com.au) | [sales@britex.com.au](mailto:sales@britex.com.au) | A.B.N 83 004 309 737

