

WALL MOUNTED SURGICAL SET - GOOSENECK FIXED/JUMPER



WELS REG # T38495



features and benefits

- WELS and WaterMark certified
- Australian made
- Premium quality
- Laminar flow nozzle
- Patented inlet isolation valve with removable bucket filters
- Sleek and ergonomic designs
- Hands-free operation
- Fully enclosed componentry provides greater infection control
- Single dual temperature sets
- Heavy duty CP finish
- Robust construction

about

Medical tapware offered by BRITEX has been selected to complement specific basins, sinks and troughs within the Britex range. The medical tapware we supply is sourced from Galvin Engineering, one of Australia's most respected manufacturers of tapware for healthcare projects and is designed to provide a long life of high performance and minimise the risk of infection and germ contamination. All components are fully enclosed to avoid build-up of contaminants and patented inlet isolation valves with built-in removable bucket filters that allow easier maintenance and cleaning. Sleek and ergonomic designed handles allow hands free operation by either the elbow, forearm or wrist and are well suited to the different user groups within hospitals aged care facilities and medical centres.

sample spec. text

Britex Wall Mounted Surgical Set - Gooseneck Fixed/Jumper - Product Code: TW-MT-51FJ1

*RED TEXT may denote a **variable** where one option only is to be selected, a **nominal dimension** that needs to be specified, or an **optional feature** that can be removed if not required. Please refer to the back of this page for additional specification details and options.

VISIT BRITEX.COM.AU TO DOWNLOAD BIM FILES, CAD DRAWINGS AND THE MOST CURRENT PRODUCT LITERATURE.



MELBOURNE
Britex Place, Mirra Crt
Bundoora VIC 3083
t (03) 9466 9000
f (03) 9466 9044

SYDNEY
16 Northumberland Drv
Taren Point NSW 2229
t (02) 9531 2100
f (02) 9531 2800

PERTH
Unit 1/8 Principal Link
Malaga WA 6090
t (08) 9249 5464
f (08) 9248 6893

BRISBANE
19 Manilla St
East Brisbane QLD 4169
t (07) 3363 2400
f (07) 3363 2444

ADELAIDE
The Britex Group
SA State Office
t 1300 764 744
f 1300 784 306

britex.com.au | sales@britex.com.au | A.B.N 83 004 309 737

WALL MOUNTED SURGICAL SET - GOOSENECK FIXED/JUMPER

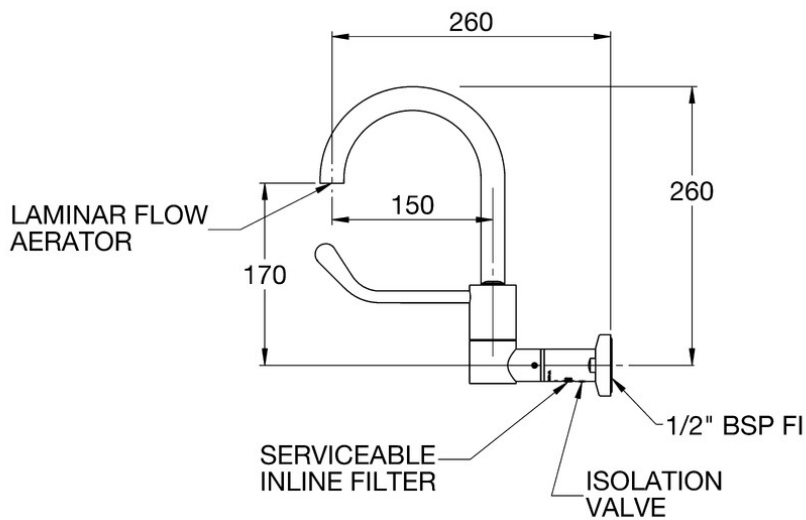
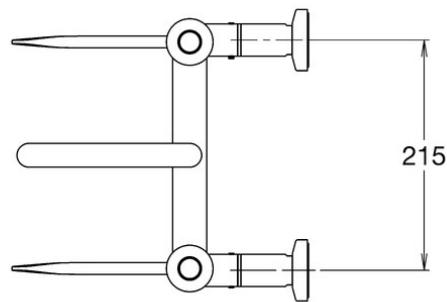
PRODUCT CODE

TW-MT-51FJ1



technical
information

WELS: 5 Star Rating (5.5L/min)
Nominal Flow Rate (LPM): 5.27
WaterMark: AS/NZS 3718 Lic. WMKA0034
Inlet: 1/2" BSP - Male
Outlet: Laminar Flow
Headwork: Jumper Valve
Working Pressure Range (kPa): Min 50 - Max 500
Working Temperature Range (°C): Min 5 - Max 65
Construction: Brass
Finish: Chrome



specifying
guide

When specifying this product please include:

- Product Name and Code

VISIT BRITEX.COM.AU TO DOWNLOAD BIM FILES, CAD DRAWINGS AND THE MOST CURRENT PRODUCT LITERATURE.

Last Revised Dec 2023



Due to ongoing research and our commitment to product development, details are subject to change without notice. Details accurate at time of print. Please refer to britex.com.au for the most current product information. Allow +/- 5mm tolerance for dimensions and setouts shown in product literature.

britex.com.au | sales@britex.com.au | A.B.N 83 004 309 737

