

HOB MOUNTED MIXER TAP - SWIVEL SPOUT



WELS REG # T24460



features and benefits

- Choice of flick mixer or lever mixer taps
- Vandal resistant
- Optional fixed or swivel spout
- Heavy duty bright CP finish
- WaterMark and WELS certified
- Versatile, suitable for various projects

about

Hob mounted mixer taps offered by BRITEX have been selected to complement specific stainless steel basins, sinks and troughs within the Britex range. The hob mounted mixer taps we supply are commercial quality, have a heavy duty CP finish and are both WELS and WaterMark certified. A lever mixer tap is available for use in disabled amenities in conjunction with our disabled wash basin (HBDA). These taps are particularly suited to public amenities and education projects. We are proud to offer these premium quality taps in conjunction with our own first class fixtures.

sample spec. text

Hob Mounted Mixer Tap - Swivel Spout- Product Code: TW-MIX-02

*RED TEXT may denote a **variable** where one option only is to be selected, a **nominal dimension** that needs to be specified, or an **optional feature** that can be removed if not required. Please refer to the back of this page for additional specification details and options.

VISIT BRITEX.COM.AU TO DOWNLOAD BIM FILES, CAD DRAWINGS AND THE MOST CURRENT PRODUCT LITERATURE.



MELBOURNE
Britex Place, Mirra Crt
Bundoora VIC 3083
t (03) 9466 9000
f (03) 9466 9044

SYDNEY
16 Northumberland Drv
Taren Point NSW 2229
t (02) 9531 2100
f (02) 9531 2800

PERTH
Unit 1/8 Principal Link
Malaga WA 6090
t (08) 9249 5464
f (08) 9248 6893

BRISBANE
19 Manilla St
East Brisbane QLD 4169
t (07) 3363 2400
f (07) 3363 2444

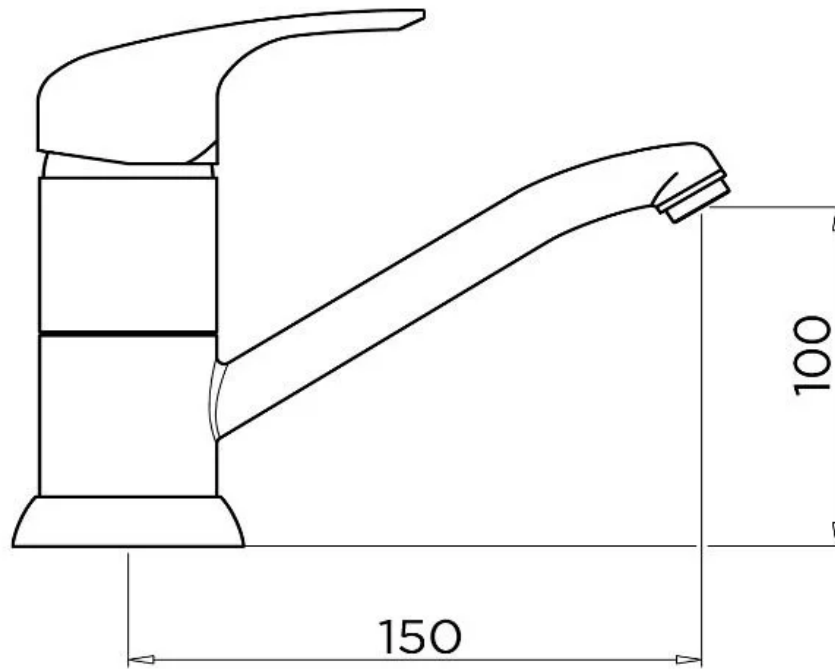
ADELAIDE
The Britex Group
SA State Office
t 1300 764 744
f 1300 784 306

britex.com.au | sales@britex.com.au | A.B.N 83 004 309 737

HOB MOUNTED MIXER TAP - SWIVEL SPOUT

PRODUCT CODE

TW-MIX-02



specifying
guide

When specifying this product please include:

- Product Name and Code

VISIT BRITEX.COM.AU TO DOWNLOAD BIM FILES, CAD DRAWINGS AND THE MOST CURRENT PRODUCT LITERATURE.

Last Revised Dec 2023

BRITEX
innovating since 1938

Due to ongoing research and our commitment to product development, details are subject to change without notice. Details accurate at time of print. Please refer to britex.com.au for the most current product information. Allow +/- 5mm tolerance for dimensions and setouts shown in product literature.

britex.com.au | sales@britex.com.au | A.B.N 83 004 309 737

