

# LABORATORY TAP SET 1



## features and benefits

- Tough vandal resistant handle that has a unique locking system
- Complies with NSW Education EFSG Guidelines
- Quality controlled. Every tap is tested
- Comprehensive range of interchangeable nozzles including vandal resistant aerators, tube nozzles, fixed spray nozzles and tube nozzle
- Replaceable top assemblies are supplied for easy maintenance
- High quality chrome finish for easy cleaning and hygiene maintenance

## about

Laboratory taps offered by BRITEX have been selected to complement specific stainless steel basins, sinks and troughs within the Britex range. Laboratory tapware is supplied with a heavy duty CP finish in a wide range of formats with XT tube nozzles or aerators, fixed and swivel spouts in single and dual temperature options. These taps are particularly suited to laboratories, testing facilities and education projects. We are proud to offer these premium quality taps in conjunction with our own first class fixtures.

## sample spec. text

*Britex Laboratory Tap Set 1- Product Code: TW-LBSET-01*

\*RED TEXT may denote a **variable** where one option only is to be selected, a **nominal dimension** that needs to be specified, or an **optional feature** that can be removed if not required. Please refer to the back of this page for additional specification details and options.

VISIT [BRITEX.COM.AU](http://BRITEX.COM.AU) TO DOWNLOAD BIM FILES, CAD DRAWINGS AND THE MOST CURRENT PRODUCT LITERATURE.



**MELBOURNE**  
Britex Place, Mirra Crt  
Bundoora VIC 3083  
t (03) 9466 9000  
f (03) 9466 9044

**SYDNEY**  
16 Northumberland Drv  
Taren Point NSW 2229  
t (02) 9531 2100  
f (02) 9531 2800

**PERTH**  
Unit 1/8 Principal Link  
Malaga WA 6090  
t (08) 9249 5464  
f (08) 9248 6893

**BRISBANE**  
19 Manilla St  
East Brisbane QLD 4169  
t (07) 3363 2400  
f (07) 3363 2444

**ADELAIDE**  
The Britex Group  
SA State Office  
t 1300 764 744  
f 1300 784 306

[britex.com.au](http://britex.com.au) | [sales@britex.com.au](mailto:sales@britex.com.au) | A.B.N 83 004 309 737

# LABORATORY TAP SET 1

PRODUCT CODE

## TW-LBSET-01



technical  
information

**WELS:** 6 Star Rating (4.5L/min) or 5 Star Rating (6L/min)

**Nominal Flow Rate (LPM):** 4.49 or 5.6

**WaterMark:** AS/NZS 3718 Lic. WMKA0034

**Inlet:** 15 BSP

**Outlet:** Vandal Resistant Aerator

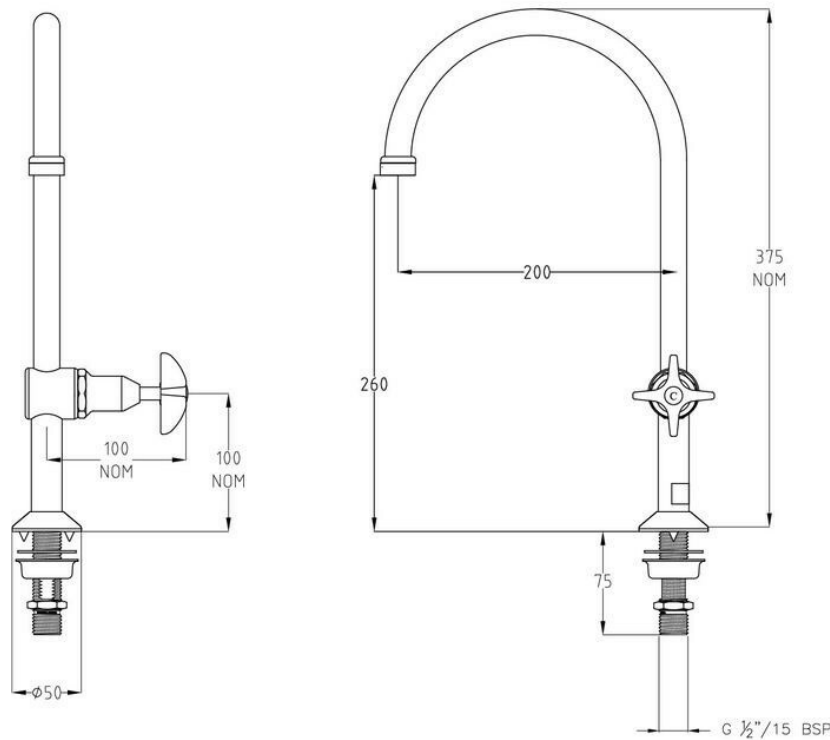
**Headwork:** Jumper Valve

**Working Pressure Range (kPa):** 50 Min - 500 Max

**Operating Temperature Range (°C):** 5 Min - 80 Max

**Construction:** Brass

**Finish:** Chrome



specifying  
guide

*When specifying this product please include:*

- Product Name and Code

VISIT [BRITEX.COM.AU](http://BRITEX.COM.AU) TO DOWNLOAD BIM FILES, CAD DRAWINGS AND THE MOST CURRENT PRODUCT LITERATURE.

Last Revised Dec 2023



Due to ongoing research and our commitment to product development, details are subject to change without notice. Details accurate at time of print. Please refer to [britex.com.au](http://britex.com.au) for the most current product information. Allow +/- 5mm tolerance for dimensions and setouts shown in product literature.

[britex.com.au](http://britex.com.au) | [sales@britex.com.au](mailto:sales@britex.com.au) | A.B.N 83 004 309 737

