

SQUARE SENSOR TAP WITH POWER GENERATOR



features and benefits

- Curved or Square Style Sensor Tap
- 6 L per minute flow rate
- No Battery or Powerpoint required
- Self-sustainable operation without external electrical power supply
- A generator integrated in the water supply system produces electricity as soon as the water is running
- Simple and almost tool-free installation

about

BRITEX Curved Sensor Tap with Power Generator is a self sustainable sensor tap with its own power generator with no requirements for battery or powerpoint. Curved Style.

sample spec. text

Britex Square Sensor Tap with Power Generator- Product Code: TW-G-186

*RED TEXT may denote a **variable** where one option only is to be selected, a **nominal dimension** that needs to be specified, or an **optional feature** that can be removed if not required. Please refer to the back of this page for additional specification details and options.

VISIT BRITEX.COM.AU TO DOWNLOAD BIM FILES, CAD DRAWINGS AND THE MOST CURRENT PRODUCT LITERATURE.



MELBOURNE
Britex Place, Mirra Crt
Bundoora VIC 3083
t (03) 9466 9000
f (03) 9466 9044

SYDNEY
16 Northumberland Drv
Taren Point NSW 2229
t (02) 9531 2100
f (02) 9531 2800

PERTH
Unit 1/8 Principal Link
Malaga WA 6090
t (08) 9249 5464
f (08) 9248 6893

BRISBANE
19 Manilla St
East Brisbane QLD 4169
t (07) 3363 2400
f (07) 3363 2444

ADELAIDE
The Britex Group
SA State Office
t 1300 764 744
f 1300 784 306

britex.com.au | sales@britex.com.au | A.B.N 83 004 309 737

SQUARE SENSOR TAP WITH POWER GENERATOR

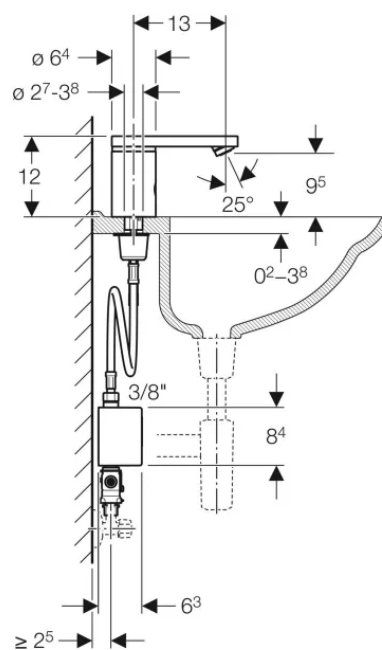
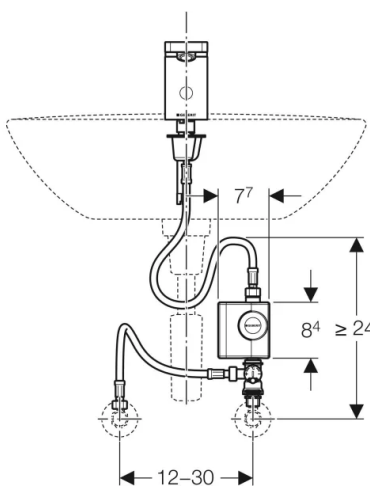
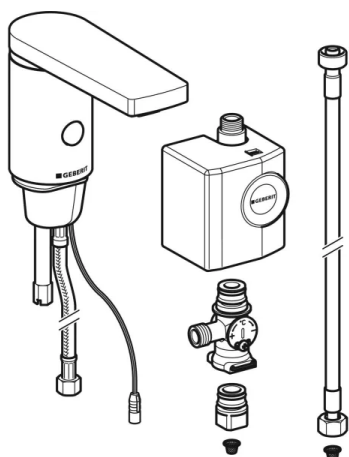
PRODUCT CODE

TW-G-186



technical information

- WELS:** 3 Star Rating (8.5L/min)
- Battery type:** Li-Ion (6.6 V)
- Protection degree:** IP44
- Operating voltage:** 6.6 V DC
- Operating pressure:** 200-800 kPa
- Differentiated pressure CW/WW:** ≤ 150 kPa
- Maximum test pressure, water:** 1600 kPa
- Maximum test pressure, air / inert gas:** 300 kPa
- Ambient temperature:** 1-40 °C
- Maximum operating temperature, water:** 60 °C
- Maximum operating temperature, water, short-term:** 90 °C
- Flow rate at 3 bar:** 6 l/min
- Calculated flow rate:** 0.07 l/s
- Minimum flow pressure for calculated flow rate:** 200 kPa
- Activation distance, adjustment range:** 5-33 cm
- Activation distance, factory setting:** 16-18 cm
- Interval flush, adjustment range:** 1-168 h
- Interval flush, factory setting:** 168 h
- Interval flush time, adjustment range:** 3-180 s
- Interval flush time, factory setting:** 3 s
- Product material:** Brass chrome-plated



specifying guide

- When specifying this product please include:
- Product Name and Code

VISIT BRITEX.COM.AU TO DOWNLOAD BIM FILES, CAD DRAWINGS AND THE MOST CURRENT PRODUCT LITERATURE.

Last Revised Dec 2023



Due to ongoing research and our commitment to product development, details are subject to change without notice. Details accurate at time of print. Please refer to britex.com.au for the most current product information. Allow +/- 5mm tolerance for dimensions and setouts shown in product literature.

britex.com.au | sales@britex.com.au | A.B.N 83 004 309 737

