

# 316 SS DRINK SAFE™ VERTICAL PUSH BUTTON DRINK TAP - RH



WELS REG # T30733



## features and benefits

- Constructed with 316 stainless steel - drink safe™
- Unique rubber mouthguard for added safety, material has high resistant to bacteria and sunlight
- Stainless steel grub screws secure the mouthguard to the body ensuring a high resistance to vandalism
- Easy to use push button mechanism automatically springs closed when it's released, saving money and reducing water wastage
- Robust vandal resistant handle increases durability and reduces the risk of vandalism

## about

BRITEX 316 SS Drink Safe™ Vertical Push Button Drink Tap - RH includes water-conserving and cost-effective properties, the Drink Safe™ bubbler is made from stainless steel material and is completely free of lead, aligning with Australian Building Codes Board advice. With easy self-closing mechanism and a high resistance to fungal and bacterial attack from the rubber mouthguard, the Drink Safe™ bubbler is ideal for education applications and public areas.

## sample spec. text

*Britex 316 SS Drink Safe™ Vertical Push Button Drink Tap - RH - Product Code: TW-DV-RSS*

\*RED TEXT may denote a **variable** where one option only is to be selected, a **nominal dimension** that needs to be specified, or an **optional feature** that can be removed if not required. Please refer to the back of this page for additional specification details and options.

VISIT [BRITEX.COM.AU](http://BRITEX.COM.AU) TO DOWNLOAD BIM FILES, CAD DRAWINGS AND THE MOST CURRENT PRODUCT LITERATURE.



**MELBOURNE**  
Britex Place, Mirra Crt  
Bundoora VIC 3083  
t (03) 9466 9000  
f (03) 9466 9044

**SYDNEY**  
16 Northumberland Drv  
Taren Point NSW 2229  
t (02) 9531 2100  
f (02) 9531 2800

**PERTH**  
Unit 1/8 Principal Link  
Malaga WA 6090  
t (08) 9249 5464  
f (08) 9248 6893

**BRISBANE**  
19 Manilla St  
East Brisbane QLD 4169  
t (07) 3363 2400  
f (07) 3363 2444

**ADELAIDE**  
The Britex Group  
SA State Office  
t 1300 764 744  
f 1300 784 306

[britex.com.au](http://britex.com.au) | [sales@britex.com.au](mailto:sales@britex.com.au) | A.B.N 83 004 309 737

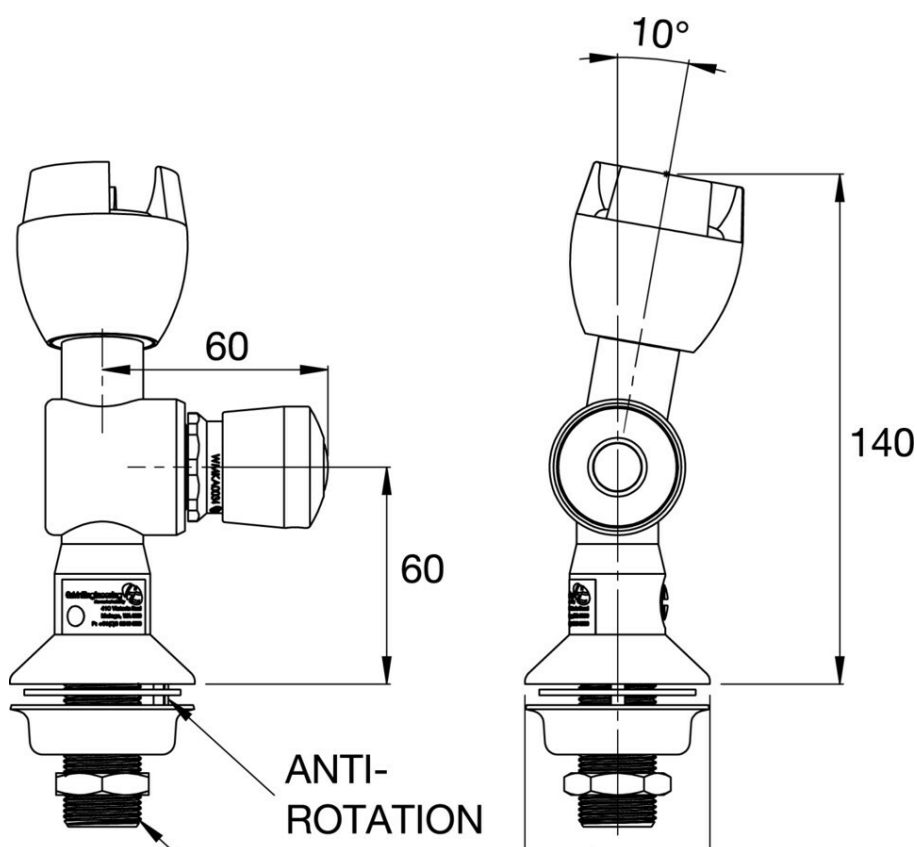
# 316 SS DRINK SAFE™ VERTICAL PUSH BUTTON DRINK TAP - RH

PRODUCT CODE

## TW-DV-RSS



**WELS:** 6 Star Rating (2.0L/min)  
**Nominal Flow Rate (LPM):** 1.7  
**WaterMark:** AS/NZS 3718 Lic. WMKA0034  
**Inlet:** 1/2" BSP - Male  
**Outlet:** Rubber Mouthguard  
**Headwork:** Push Button  
**Working Pressure Range (kPa):** 50 Min - 500 Max  
**Working Temperature Range (°C):** 5 Min - 60 Max  
**Construction:** 316 Stainless Steel  
**Finish:** Stainless Steel



*When specifying this product please include:*

- Product Name and Code

VISIT [BRITEX.COM.AU](http://BRITEX.COM.AU) TO DOWNLOAD BIM FILES, CAD DRAWINGS AND THE MOST CURRENT PRODUCT LITERATURE.

Last Revised Jan 2024



Due to ongoing research and our commitment to product development, details are subject to change without notice. Details accurate at time of print. Please refer to [britex.com.au](http://britex.com.au) for the most current product information. Allow +/- 5mm tolerance for dimensions and setouts shown in product literature.

[britex.com.au](http://britex.com.au) | [sales@britex.com.au](mailto:sales@britex.com.au) | A.B.N 83 004 309 737

