

DRINK SAFE™ HOB MOUNTED VERTICAL PUSH BUTTON BUBBLER



WELS REG #T35582



features and benefits

- Manufactured using high quality DZR solid brass with less than 0.25% lead content*
- A unique rubber mouthguard has been specially designed to protect teeth in the rough and tough environment of the schoolyard and playground
- The mouthguard is made from a nitrile compound which is AS 4020 approved and has a high resistance to fungal and bacterial attack
- Vandal resistant design
- Inbuilt adjustment for consistency of water flow
- Easy to use self-closing mechanism
- High quality chrome finish for easy cleaning, added durability and hygiene maintenance

about

High quality range of hob mounted drinking bubblers for use in conjunction with Britex drinking fountains or troughs. Manufactured using high quality DZR solid brass with less than 0.25% lead content*. Ideal for use in playgrounds, schoolyards and public areas. Robust and reliable, with water conserving and cost-effective benefits.

sample spec. text

Britex Hob Mounted Vertical Drink Safe™ Push Button Bubbler with Rubber Mouthguard - Product Code TW-DV-PL

*RED TEXT may denote a **variable** where one option only is to be selected, a **nominal dimension** that needs to be specified, or an **optional feature** that can be removed if not required. Please refer to the back of this page for additional specification details and options.

VISIT BRITEX.COM.AU TO DOWNLOAD BIM FILES, CAD DRAWINGS AND THE MOST CURRENT PRODUCT LITERATURE.



MELBOURNE
Britex Place, Mirra Crt
Bundoora VIC 3083
t (03) 9466 9000
f (03) 9466 9044

SYDNEY
16 Northumberland Drv
Taren Point NSW 2229
t (02) 9531 2100
f (02) 9531 2800

PERTH
Unit 1/8 Principal Link
Malaga WA 6090
t (08) 9249 5464
f (08) 9248 6893

BRISBANE
19 Manilla St
East Brisbane QLD 4169
t (07) 3363 2400
f (07) 3363 2444

ADELAIDE
The Britex Group
SA State Office
t 1300 764 744
f 1300 784 306

britex.com.au | sales@britex.com.au | A.B.N 83 004 309 737

DRINK SAFE™ HOB MOUNTED VERTICAL PUSH BUTTON BUBBLER

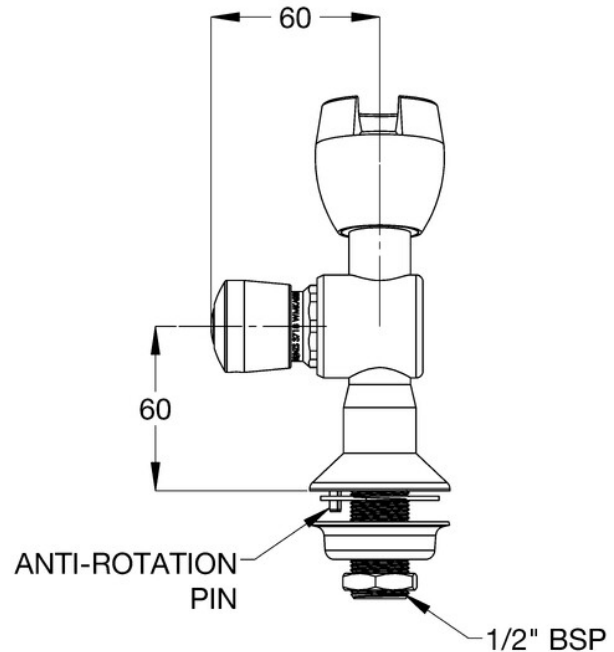
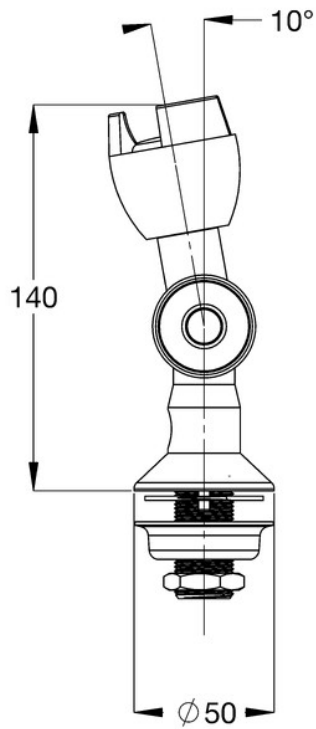
PRODUCT CODE

TW-DV-PL



technical
information

WELS: 6 Star Rating (2L/min)
Nominal Flow Rate (LPM): 1.7
WaterMark: AS/NZS 3718 Lic. WMKA0034
Inlet: 1/2" BSP - Male
Outlet: Rubber Mouthguard
Headwork: Push Button
Working Pressure Range (kPa): 50 Min - 500 Max
Working Temperature Range (°C): 5 Min - 60 Max
Construction: Drink Safe™ DZR Brass*
Finish: Chrome



specifying
guide

*When specifying this
product please include:*

- Product Name and Code

VISIT BRITEX.COM.AU TO DOWNLOAD BIM FILES, CAD DRAWINGS AND THE MOST CURRENT PRODUCT LITERATURE.

Last Revised Oct 2023



Due to ongoing research and our commitment to product development, details are subject to change without notice. Details accurate at time of print. Please refer to britex.com.au for the most current product information. Allow +/- 5mm tolerance for dimensions and setouts shown in product literature.

britex.com.au | sales@britex.com.au | A.B.N 83 004 309 737

