

316 SS DRINK SAFE™ VERTICAL PUSH BUTTON DRINK TAP - LH



WELS REG # T30732



features and benefits

- 316 stainless steel construction
- A unique rubber mouthguard has been specially designed to protect teeth in the rough and tough environment of the school yard and playground
- The mouthguard is made from a nitrile compound which is AS 4020 approved and has a high resistance to fungal and bacterial attack
- The rubber compound used has a high degree of saturation to ensure the unit has a greater resistance to sunlight and environmental ageing and therefore a long life in the field
- Stainless steel grub screws secure the mouthguard to the body ensuring a high resistance to vandalism
- Inbuilt adjustment for consistency of water flow
- Easy to use self-closing mechanism

about

BRITEX 316 SS Drink Safe™ Vertical Push Button Drink Tap - LH includes water-conserving and cost-effective properties, the Drink Safe™ bubbler is made from stainless steel material and is completely free of lead, aligning with Australian Building Codes Board advice. With inbuilt adjustment for consistency of water flow, easy self-closing mechanism and a high resistance to fungal and bacterial attack from the rubber mouthguard, the Drink Safe™ bubbler is ideal for education applications and public areas.

sample spec. text

Britex 316 SS Drink Safe™ Vertical Push Button Drink Tap - LH - Product Code: TW-DV-LSS

*RED TEXT may denote a **variable** where one option only is to be selected, a **nominal dimension** that needs to be specified, or an **optional feature** that can be removed if not required. Please refer to the back of this page for additional specification details and options.

VISIT BRITEX.COM.AU TO DOWNLOAD BIM FILES, CAD DRAWINGS AND THE MOST CURRENT PRODUCT LITERATURE.



MELBOURNE
Britex Place, Mirra Crt
Bundoora VIC 3083
t (03) 9466 9000
f (03) 9466 9044

SYDNEY
16 Northumberland Drv
Taren Point NSW 2229
t (02) 9531 2100
f (02) 9531 2800

PERTH
Unit 1/8 Principal Link
Malaga WA 6090
t (08) 9249 5464
f (08) 9248 6893

BRISBANE
19 Manilla St
East Brisbane QLD 4169
t (07) 3363 2400
f (07) 3363 2444

ADELAIDE
The Britex Group
SA State Office
t 1300 764 744
f 1300 784 306

britex.com.au | sales@britex.com.au | A.B.N 83 004 309 737

316 SS DRINK SAFE™ VERTICAL PUSH BUTTON DRINK TAP - LH

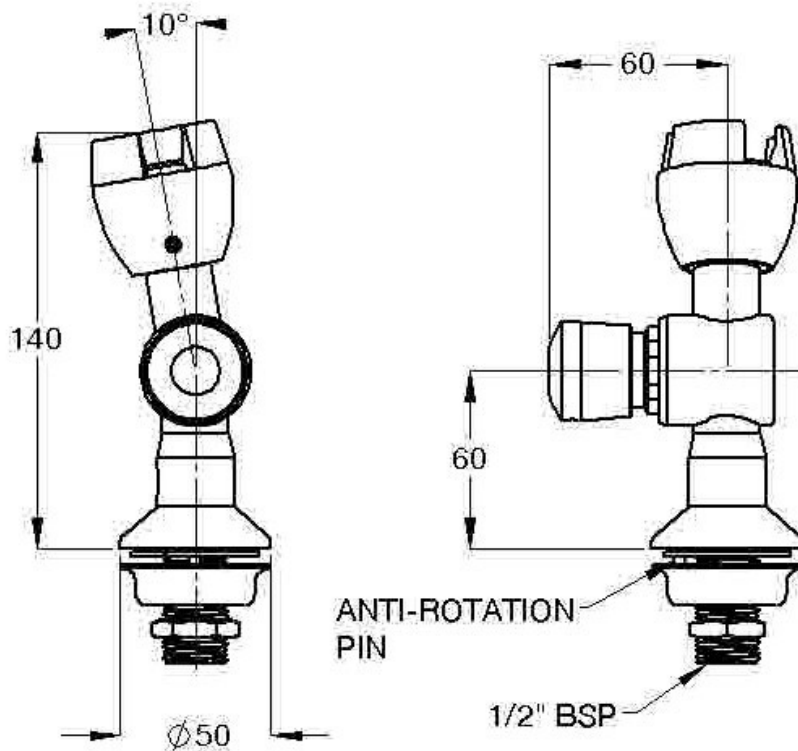
PRODUCT CODE

TW-DV-LSS



technical
information

WELS: 6 Star Rating (2.0L/min)
Nominal Flow Rate (LPM): 1.7
WaterMark: AS/NZS 3718 Lic. WMKA0034
Inlet: 1/2" BSP - Male
Outlet: Rubber Mouthguard
Headwork: Push Button
Working Pressure Range (kPa): 50 Min - 500 Max
Working Temperature Range (°C): 5 Min - 60 Max
Construction: 316 Stainless Steel
Finish: Stainless Steel



specifying
guide

When specifying this
product please include:

- Product Name and Code

VISIT BRITEX.COM.AU TO DOWNLOAD BIM FILES, CAD DRAWINGS AND THE MOST CURRENT PRODUCT LITERATURE.

Last Revised Jan 2024



Due to ongoing research and our commitment to product development, details are subject to change without notice. Details accurate at time of print. Please refer to britex.com.au for the most current product information. Allow +/- 5mm tolerance for dimensions and setouts shown in product literature.

britex.com.au | sales@britex.com.au | A.B.N 83 004 309 737

