

# HOB MOUNTED VERTICAL CAM ACTION BUBBLER



## features and benefits

- Vandal resistant design
- Highly water efficient
- Auto shut-off to prevent taps being left on
- Drink taps to suit BRITEX troughs and fountains
- Available pre-plumbed on BRITEX products
- WELS and WaterMark certified
- Integral adjustable flow regulator

## about

High quality range of hob mounted drinking bubblers for use in conjunction with Britex drinking fountains or troughs. Manufactured using high quality DZR solid brass with less than 0.25% lead content\*. The soft, bright-blue rubber mouthguard protects teeth, is antibacterial and UV stabilised against sun damage. Strong, chrome plated brass body with a unique valve design ensures a long life under the toughest conditions.

## sample spec. text

*Britex Hob Mounted Vertical Cam Action Bubbler with Rubber Mouthguard - Product Code TW-DV-CL*

\*RED TEXT may denote a **variable** where one option only is to be selected, a **nominal dimension** that needs to be specified, or an **optional feature** that can be removed if not required. Please refer to the back of this page for additional specification details and options.

VISIT [BRITEX.COM.AU](http://BRITEX.COM.AU) TO DOWNLOAD BIM FILES, CAD DRAWINGS AND THE MOST CURRENT PRODUCT LITERATURE.



**MELBOURNE**  
Britex Place, Mirra Crt  
Bundoora VIC 3083  
t (03) 9466 9000  
f (03) 9466 9044

**SYDNEY**  
16 Northumberland Drv  
Taren Point NSW 2229  
t (02) 9531 2100  
f (02) 9531 2800

**PERTH**  
Unit 1/8 Principal Link  
Malaga WA 6090  
t (08) 9249 5464  
f (08) 9248 6893

**BRISBANE**  
19 Manilla St  
East Brisbane QLD 4169  
t (07) 3363 2400  
f (07) 3363 2444

**ADELAIDE**  
The Britex Group  
SA State Office  
t 1300 764 744  
f 1300 784 306

[britex.com.au](http://britex.com.au) | [sales@britex.com.au](mailto:sales@britex.com.au) | A.B.N 83 004 309 737

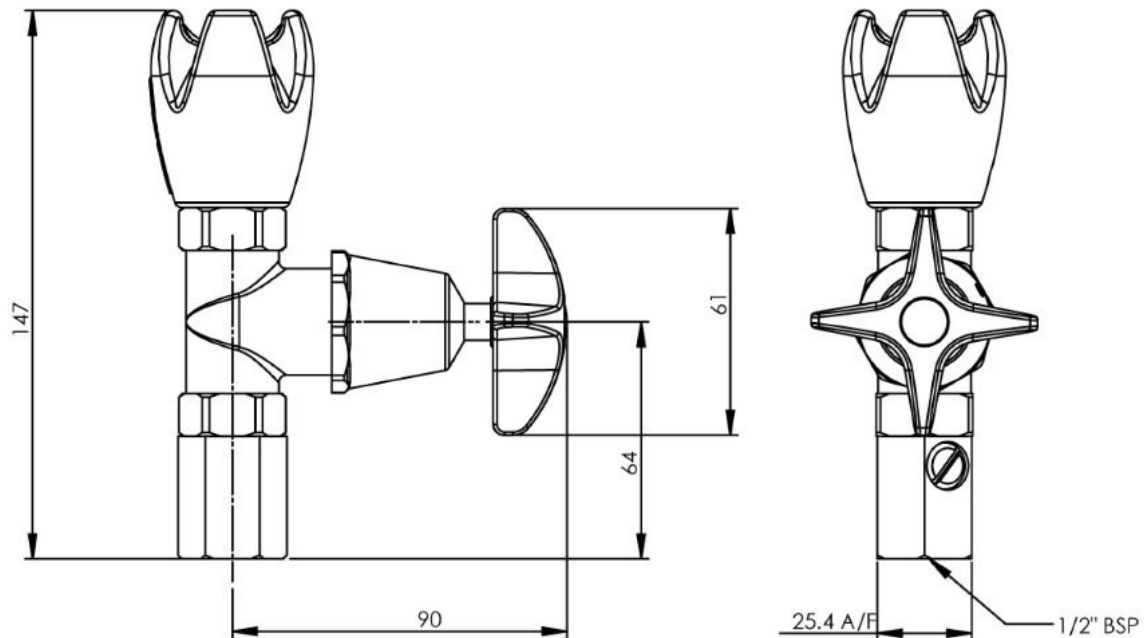
# HOB MOUNTED VERTICAL CAM ACTION BUBBLER

PRODUCT CODE

## TW-DV-CL



**Watermark:** AS/NZS 3718 WM40054 SAI Global  
**Inlet:** 1/2" BSP - Female  
**Flow Rate:** 2  
**Headwork:** Push Button  
**Working Pressure Range (kPa):** 100 Min - 500 Max  
**Working Temperature Range (°C):** 5 Min - 30 Max  
**Valve:** Spring Action  
**Finish:** Chrome Plating



*When specifying this product please include:*

- Product Name and Code

VISIT [BRITEX.COM.AU](http://BRITEX.COM.AU) TO DOWNLOAD BIM FILES, CAD DRAWINGS AND THE MOST CURRENT PRODUCT LITERATURE.

Last Revised Oct 2023



Due to ongoing research and our commitment to product development, details are subject to change without notice. Details accurate at time of print. Please refer to [britex.com.au](http://britex.com.au) for the most current product information. Allow +/- 5mm tolerance for dimensions and setouts shown in product literature.

[britex.com.au](http://britex.com.au) | [sales@britex.com.au](mailto:sales@britex.com.au) | A.B.N 83 004 309 737

