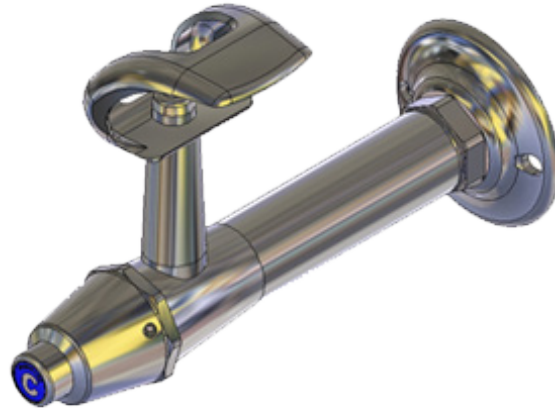


90° CHROME PLATED DRINKING BUBBLER PUSH BUTTON



features and benefits

- Highly water efficient
- Auto shut-off to prevent taps being left on
- Drink taps to suit BRITEX troughs and fountains
- Available pre-plumbed on BRITEX products
- Unique valve design incorporating stainless steel components for an effective, low maintenance mechanism
- Vandal-resistant internal locking ring secures the handle, special key (supplied) required to release
- High quality construction in dezincification resistant (DR) brass with bright chrome finish

about

Britex 90° Chrome Plated Drinking Bubbler Push Button is a wall mounted self closing fountain for dispensing drinking water generally used above a basin or in multiples in line above a drinking trough. The fixed metal mouth guard prevents unnecessary user contact with the water outlet. An adjustable flow control allows the height of the drinking water stream to be set according to the site conditions. The two fixing screw holes in the wall flange allows the fountain to be secured in place.

sample spec. text

Britex 90° Chrome Plated Drinking Bubbler Push Button - Product Code TW-DP90M

*RED TEXT may denote a **variable** where one option only is to be selected, a **nominal dimension** that needs to be specified, or an **optional feature** that can be removed if not required. Please refer to the back of this page for additional specification details and options.

VISIT BRITEX.COM.AU TO DOWNLOAD BIM FILES, CAD DRAWINGS AND THE MOST CURRENT PRODUCT LITERATURE.



MELBOURNE
Britex Place, Mirra Crt
Bundoora VIC 3083
t (03) 9466 9000
f (03) 9466 9044

SYDNEY
16 Northumberland Drv
Taren Point NSW 2229
t (02) 9531 2100
f (02) 9531 2800

PERTH
Unit 1/8 Principal Link
Malaga WA 6090
t (08) 9249 5464
f (08) 9248 6893

BRISBANE
19 Manilla St
East Brisbane QLD 4169
t (07) 3363 2400
f (07) 3363 2444

ADELAIDE
The Britex Group
SA State Office
t 1300 764 744
f 1300 784 306

britex.com.au | sales@britex.com.au | A.B.N 83 004 309 737

90° CHROME PLATED DRINKING BUBBLER PUSH BUTTON

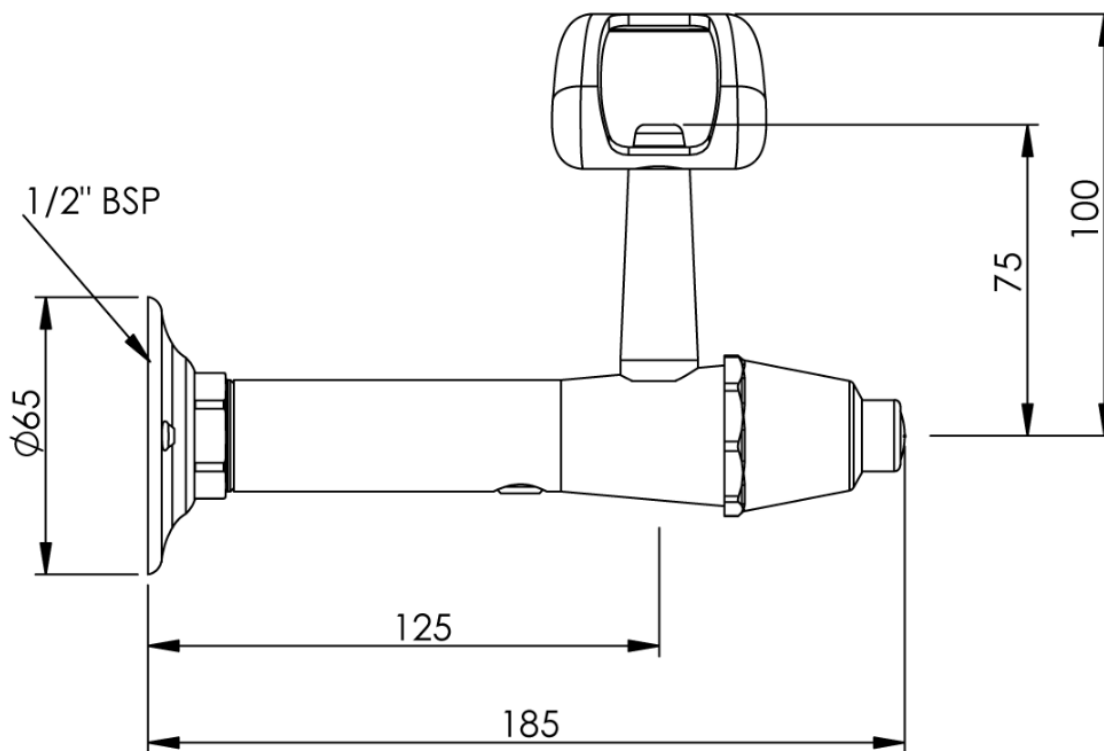
PRODUCT CODE

TW-DP90M



technical
information

WELS: 6 Star Rating (2L/min)
Nominal Flow Rate (LPM): 2
WaterMark: AS/NZS 3718 Lic. WMKA1583
Inlet: 1/2" BSP Female
Outlet: Metal
Headwork: Cam Action
Working Pressure Range (kPa): 100 - 500 kPa
Working Temperature Range (°C): 5 - 30 C
Construction: Drink Safe™ DZR Brass*
Finish: Chrome Plating



specifying
guide

When specifying this
product please include:

- Product Name and Code

VISIT BRITEX.COM.AU TO DOWNLOAD BIM FILES, CAD DRAWINGS AND THE MOST CURRENT PRODUCT LITERATURE.

Last Revised Oct 2023



Due to ongoing research and our commitment to product development, details are subject to change without notice. Details accurate at time of print. Please refer to britex.com.au for the most current product information. Allow +/- 5mm tolerance for dimensions and setouts shown in product literature.

britex.com.au | sales@britex.com.au | A.B.N 83 004 309 737

