

# 45° CHROME PLATED DRINKING BUBBLER PUSH BUTTON



WELS REG # T08117



**WaterMark**  
AS/NZS 3718 Lic. WMKA0034  
SAI Global



## features and benefits

- Manufactured using high DZR quality solid brass with less than 0.25% lead content\*
- Vandal resistant design
- Inbuilt adjustment for consistency of water flow
- Easy to use self-closing mechanism
- High quality chrome finish for easy cleaning and maintain hygiene

## about

A wall mounted self closing fountain for dispensing drinking water generally used above a basin or in multiples in line above a drinking trough. The fixed metal mouth guard prevents unnecessary user contact with the water outlet. An adjustable flow control allows the height of the drinking water stream to be set according to the site conditions. The two fixing screw holes in the wall flange allows the fountain to be secured in place.

## sample spec. text

45° Chrome Plated Drinking Bubbler Push Button - Product Code: TW-DP45

\*RED TEXT may denote a **variable** where one option only is to be selected, a **nominal dimension** that needs to be specified, or an **optional feature** that can be removed if not required. Please refer to the back of this page for additional specification details and options.

VISIT [BRITEX.COM.AU](http://BRITEX.COM.AU) TO DOWNLOAD BIM FILES, CAD DRAWINGS AND THE MOST CURRENT PRODUCT LITERATURE.



**MELBOURNE**  
Britex Place, Mirra Crt  
Bundoora VIC 3083  
t (03) 9466 9000  
f (03) 9466 9044

**SYDNEY**  
16 Northumberland Drv  
Taren Point NSW 2229  
t (02) 9531 2100  
f (02) 9531 2800

**PERTH**  
Unit 1/8 Principal Link  
Malaga WA 6090  
t (08) 9249 5464  
f (08) 9248 6893

**BRISBANE**  
19 Manilla St  
East Brisbane QLD 4169  
t (07) 3363 2400  
f (07) 3363 2444

**ADELAIDE**  
The Britex Group  
SA State Office  
t 1300 764 744  
f 1300 784 306

[britex.com.au](http://britex.com.au) | [sales@britex.com.au](mailto:sales@britex.com.au) | A.B.N 83 004 309 737

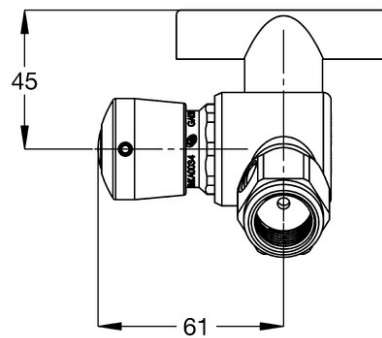
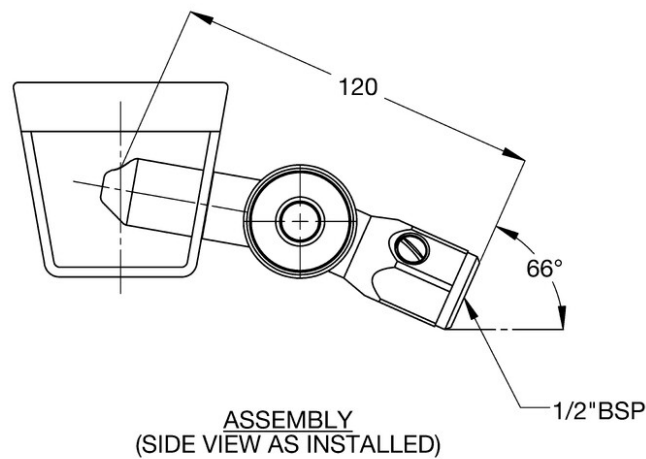
# 45° CHROME PLATED DRINKING BUBBLER PUSH BUTTON

PRODUCT CODE

## TW-DP45



**WELS:** 6 Star Rating (2L/min)  
**Nominal Flow Rate (LPM):** 1.7  
**WaterMark:** AS/NZS 3718 Lic. WMKA0034  
**Inlet:** 1/2" BSP Female  
**Outlet:** Metal Mouthguard  
**Headwork:** Push Button  
**Working Pressure Range (kPa):** 50 - 500  
**Working Temperature Range (°C):** 5 - 60 °C  
**Construction:** Lead Safe™ DZR Brass\*  
**Finish:** Chrome



*When specifying this product please include:*

- Product Name and Code

VISIT [BRITEX.COM.AU](http://BRITEX.COM.AU) TO DOWNLOAD BIM FILES, CAD DRAWINGS AND THE MOST CURRENT PRODUCT LITERATURE.

Last Revised Oct 2023



Due to ongoing research and our commitment to product development, details are subject to change without notice. Details accurate at time of print. Please refer to [britex.com.au](http://britex.com.au) for the most current product information. Allow +/- 5mm tolerance for dimensions and setouts shown in product literature.

[britex.com.au](http://britex.com.au) | [sales@britex.com.au](mailto:sales@britex.com.au) | A.B.N 83 004 309 737

