

DRINK SAFE™ PUSH BUTTON BUBBLER



WELS REG # T37611



features and benefits

- Manufactured using high quality DZR solid brass with less than 0.25% lead content*
- Commercial grade quality and fully backed by our industrial warranty
- Easy to use self-closing push button saving water and money
- Robust vandal-resistant design
- Chrome plated finish for easy cleaning and added durability

about

BRITEX Drink Safe™ Push Button Bubbler is manufactured using high quality DZR solid brass with less than 0.25% lead content* Vandal Resistant, hygienic and sturdy, perfect for drinking fountains in public amenities, schools and councils.

sample spec. text

Britex Drink Safe™ Push Button Bubbler - Product Code: TW-CPB

*RED TEXT may denote a **variable** where one option only is to be selected, a **nominal dimension** that needs to be specified, or an **optional feature** that can be removed if not required. Please refer to the back of this page for additional specification details and options.

VISIT BRITEX.COM.AU TO DOWNLOAD BIM FILES, CAD DRAWINGS AND THE MOST CURRENT PRODUCT LITERATURE.



MELBOURNE
Britex Place, Mirra Crt
Bundoora VIC 3083
t (03) 9466 9000
f (03) 9466 9044

SYDNEY
16 Northumberland Drv
Taren Point NSW 2229
t (02) 9531 2100
f (02) 9531 2800

PERTH
Unit 1/8 Principal Link
Malaga WA 6090
t (08) 9249 5464
f (08) 9248 6893

BRISBANE
19 Manilla St
East Brisbane QLD 4169
t (07) 3363 2400
f (07) 3363 2444

ADELAIDE
The Britex Group
SA State Office
t 1300 764 744
f 1300 784 306

britex.com.au | sales@britex.com.au | A.B.N 83 004 309 737

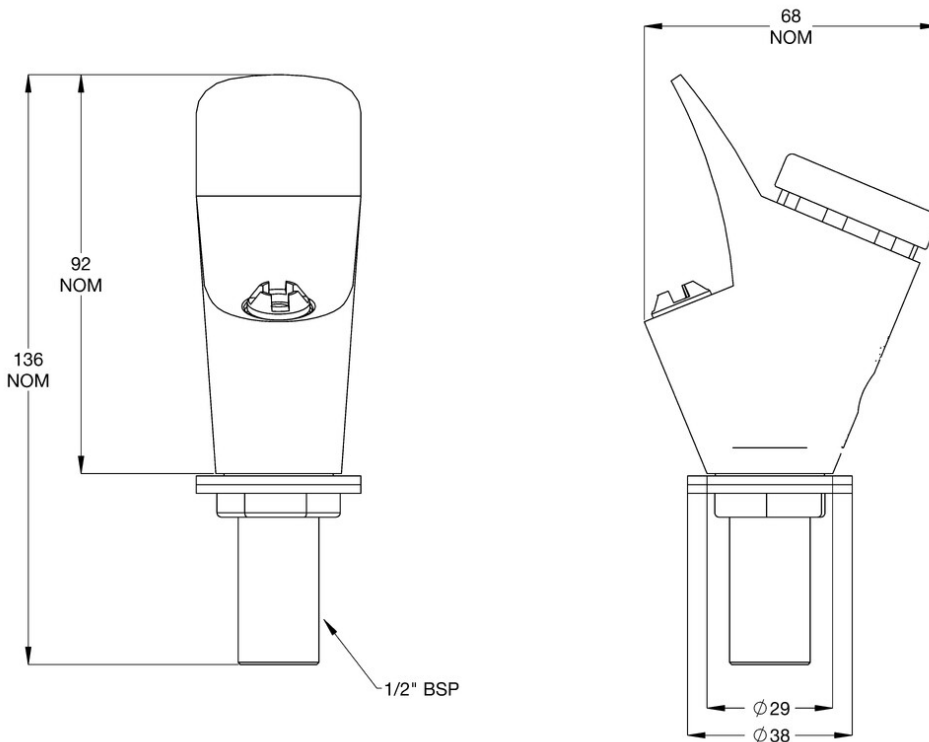
DRINK SAFE™ PUSH BUTTON BUBBLER

PRODUCT CODE

TW-CPB



WELS: 6 Star Rating (2L/min)
Nominal Flow Rate (LPM): 1.95
WaterMark: AS/NZS 3718 Lic. WMKA0034
Inlet: 1/2" BSP - Male
Outlet: Drinking outlet
Headwork: Push Button
Working Pressure Range (kPa): 100 Min - 500 Max
Working Temperature Range (°C): 5 Min - 60 Max
Construction: Wash Safe™ DZR Brass*
Finish: Chrome



When specifying this product please include:

- Product Name and Code

VISIT BRITEX.COM.AU TO DOWNLOAD BIM FILES, CAD DRAWINGS AND THE MOST CURRENT PRODUCT LITERATURE.

Last Revised Jan 2024



Due to ongoing research and our commitment to product development, details are subject to change without notice. Details accurate at time of print. Please refer to britex.com.au for the most current product information. Allow +/- 5mm tolerance for dimensions and setouts shown in product literature.

britex.com.au | sales@britex.com.au | A.B.N 83 004 309 737

