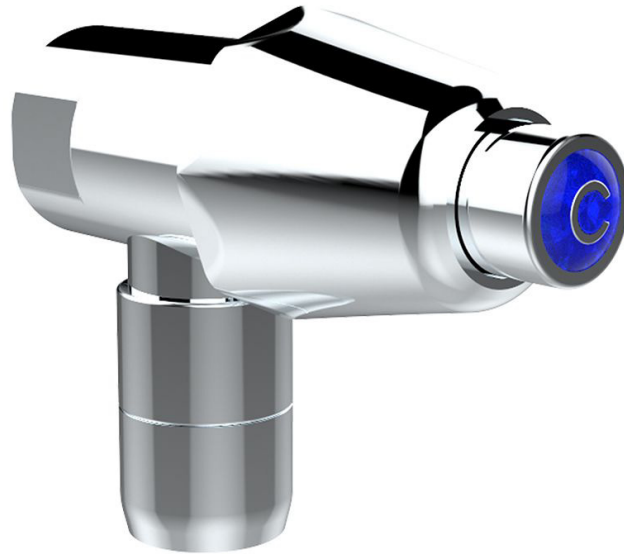


# BOTTLE FILLER WALL MOUNTED



## features and benefits

- Highly water efficient
- Auto shut-off to prevent taps being left on
- Bottle Fillers to suit BRITEX troughs and fountains
- Space saving design
- Robust design (chrome plated brass body)
- WaterMark certified

## about

Bottle Filler Wall Mounted - perfectly paired with Britex Drinking Fountains. The space-saving design is vandal-resistant, making it ideal for public areas. With push-button activation and a self-closing mechanism, the bottle filler prevents water wastage, making it cost-efficient.

## sample spec. text

*Drink Safe™ Fixed Spout Bottle Filler - Product Code: TW-BF-HF*

\*RED TEXT may denote a **variable** where one option only is to be selected, a **nominal dimension** that needs to be specified, or an **optional feature** that can be removed if not required. Please refer to the back of this page for additional specification details and options.

VISIT [BRITEX.COM.AU](http://BRITEX.COM.AU) TO DOWNLOAD BIM FILES, CAD DRAWINGS AND THE MOST CURRENT PRODUCT LITERATURE.



**MELBOURNE**  
Britex Place, Mirra Crt  
Bundoora VIC 3083  
t (03) 9466 9000  
f (03) 9466 9044

**SYDNEY**  
16 Northumberland Drv  
Taren Point NSW 2229  
t (02) 9531 2100  
f (02) 9531 2800

**PERTH**  
Unit 1/8 Principal Link  
Malaga WA 6090  
t (08) 9249 5464  
f (08) 9248 6893

**BRISBANE**  
19 Manilla St  
East Brisbane QLD 4169  
t (07) 3363 2400  
f (07) 3363 2444

**ADELAIDE**  
The Britex Group  
SA State Office  
t 1300 764 744  
f 1300 784 306

[britex.com.au](http://britex.com.au) | [sales@britex.com.au](mailto:sales@britex.com.au) | A.B.N 83 004 309 737

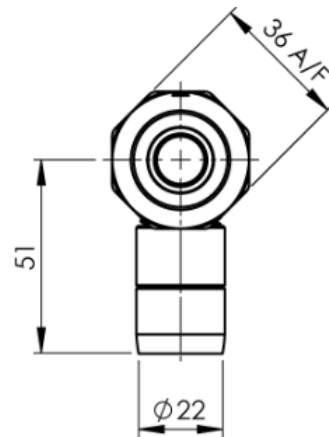
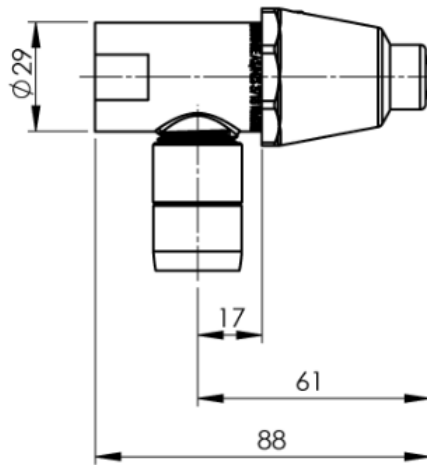
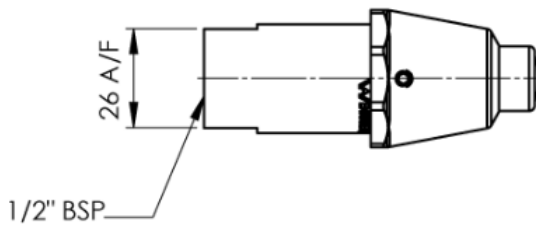
# BOTTLE FILLER WALL MOUNTED

PRODUCT CODE

## TW-BF-WE



**Nominal Flow Rate (LPM):** 5L/min  
**WaterMark:** AS/NZS 3718 Lic. WMKA1583  
**Inlet:** 1/2" BSP(15mm)  
**Outlet:** 50-500 kPa  
**Headwork:** Push Button  
**Working Pressure Range (kPa):** 50 - 500  
**Working Temperature Range (°C):** 0 - 50 °C



*When specifying this product please include:*

- Product Name and Code

VISIT [BRITEX.COM.AU](http://BRITEX.COM.AU) TO DOWNLOAD BIM FILES, CAD DRAWINGS AND THE MOST CURRENT PRODUCT LITERATURE.

Last Revised Oct 2023



Due to ongoing research and our commitment to product development, details are subject to change without notice. Details accurate at time of print. Please refer to [britex.com.au](http://britex.com.au) for the most current product information. Allow +/- 5mm tolerance for dimensions and setouts shown in product literature.

[britex.com.au](http://britex.com.au) | [sales@britex.com.au](mailto:sales@britex.com.au) | A.B.N 83 004 309 737

