

TIMED FLOW WASH SAFE™ PILLAR LEVER TAP



WELS REG # T36558



WaterMark
AS/NZS 3718 Lic. WMKA0034
SAI Global



features and benefits

- Clean hygienic design
- AS 1428.1 accessible compliant
- Water saving
- Vandal resistant.
- Easy to operate
- Low maintenance.
- Chrome plate finish for added durability

about

BRITEX Timed Flow Wash Safe™ Pillar Lever Tap is manufactured using high quality DZR solid brass with less than 0.25% lead content* with Chrome Plate Finish for added durability. Paired perfectly with BRITEX Hand Basins and Troughs. Recommended for accessible hand wash and primary/kindergarten/childcare applications.

sample spec. text

Britex Timed Flow Wash Safe™ Pillar Lever Tap - Product Code: TW-9108

*RED TEXT may denote a **variable** where one option only is to be selected, a **nominal dimension** that needs to be specified, or an **optional feature** that can be removed if not required. Please refer to the back of this page for additional specification details and options.

VISIT BRITEX.COM.AU TO DOWNLOAD BIM FILES, CAD DRAWINGS AND THE MOST CURRENT PRODUCT LITERATURE.



MELBOURNE
Britex Place, Mirra Crt
Bundoora VIC 3083
t (03) 9466 9000
f (03) 9466 9044

SYDNEY
16 Northumberland Drv
Taren Point NSW 2229
t (02) 9531 2100
f (02) 9531 2800

PERTH
Unit 1/8 Principal Link
Malaga WA 6090
t (08) 9249 5464
f (08) 9248 6893

BRISBANE
19 Manilla St
East Brisbane QLD 4169
t (07) 3363 2400
f (07) 3363 2444

ADELAIDE
The Britex Group
SA State Office
t 1300 764 744
f 1300 784 306

britex.com.au | sales@britex.com.au | A.B.N 83 004 309 737

TIMED FLOW WASH SAFE™ PILLAR LEVER TAP

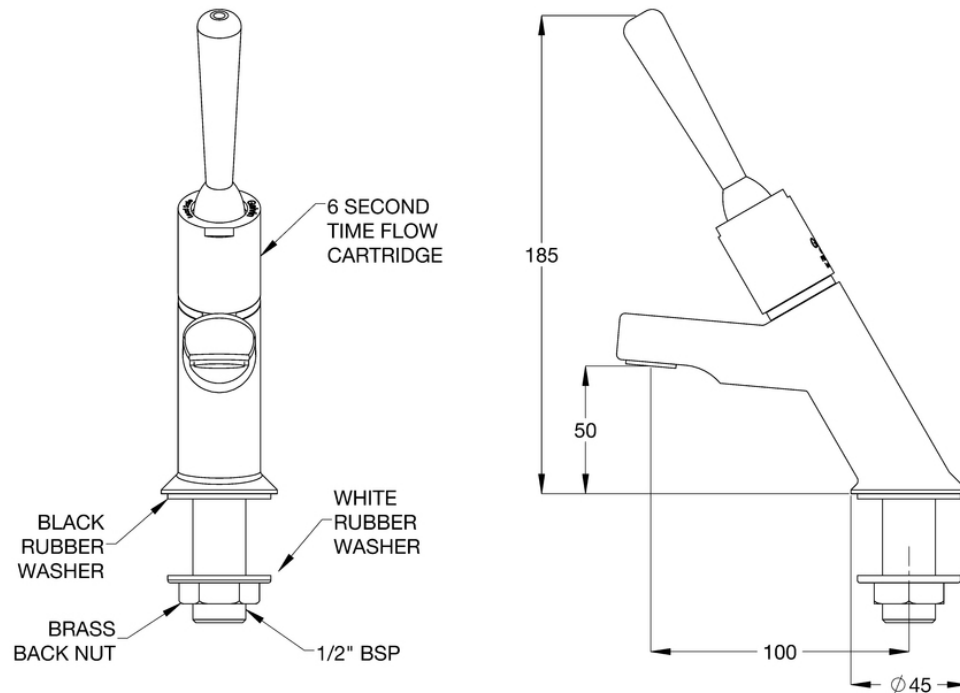
PRODUCT CODE

TW-9108



technical
information

WELS: 6 Star Rating (5.0L/min)
Nominal Flow Rate (LPM): 4.87
WaterMark: AS/NZS 3718 Lic. WMKA0034
Inlet: 1/2" BSP - Male
Outlet: Flow Straightener
Headwork: Timeflow Cartridge
Working Pressure Range (kPa): 100 Min - 500 Max
Working Temperature Range (°C): 5 Min - 65 Max
Construction: Wash Safe™ DZR Brass*
Finish: Chrome



specifying
guide

When specifying this product please include:

- Product Name and Code

VISIT BRITEX.COM.AU TO DOWNLOAD BIM FILES, CAD DRAWINGS AND THE MOST CURRENT PRODUCT LITERATURE.

Last Revised Jan 2024



Due to ongoing research and our commitment to product development, details are subject to change without notice. Details accurate at time of print. Please refer to britex.com.au for the most current product information. Allow +/- 5mm tolerance for dimensions and setouts shown in product literature.

britex.com.au | sales@britex.com.au | A.B.N 83 004 309 737

