

HOB MOUNTED CAM ACTION PILLAR TAP



WELS REG # T07064



WaterMark
AS/NZS 3718 Lic. WMKA0034
SAI Global



features and benefits

- Choice of auto shut-off or standard operation
- Complies with NSW Education EFSG Guidelines
- Constant flow regardless of pressure
- Vandal resistant handles
- Heavy duty, bright CP finish
- WaterMark and WELS certified
- Ideal for public areas and education projects

about

Hob-mounted pillar taps offered by BRITEX have been selected to complement specific stainless steel basins, sinks and troughs within the Britex range. Hob-mounted pillar taps are supplied with anti-vandal handles, and a heavy-duty CP finish with either cam activation (automatic shut-off) or as a standard 3/4 turn tap with vandal resistant aerator. These taps are particularly suited to public amenities and education projects. A practical solution for minimising water and energy usage, we are proud to offer these premium quality taps in conjunction with our own first-class fixtures.

sample spec. text

Britex Hob Mounted Cam Action Pillar Tap - Product Code: TW-0031

*RED TEXT may denote a **variable** where one option only is to be selected, a **nominal dimension** that needs to be specified, or an **optional feature** that can be removed if not required. Please refer to the back of this page for additional specification details and options.

VISIT BRITEX.COM.AU TO DOWNLOAD BIM FILES, CAD DRAWINGS AND THE MOST CURRENT PRODUCT LITERATURE.



MELBOURNE
Britex Place, Mirra Crt
Bundoora VIC 3083
t (03) 9466 9000
f (03) 9466 9044

SYDNEY
16 Northumberland Drv
Taren Point NSW 2229
t (02) 9531 2100
f (02) 9531 2800

PERTH
Unit 1/8 Principal Link
Malaga WA 6090
t (08) 9249 5464
f (08) 9248 6893

BRISBANE
19 Manilla St
East Brisbane QLD 4169
t (07) 3363 2400
f (07) 3363 2444

ADELAIDE
The Britex Group
SA State Office
t 1300 764 744
f 1300 784 306

britex.com.au | sales@britex.com.au | A.B.N 83 004 309 737

HOB MOUNTED CAM ACTION PILLAR TAP

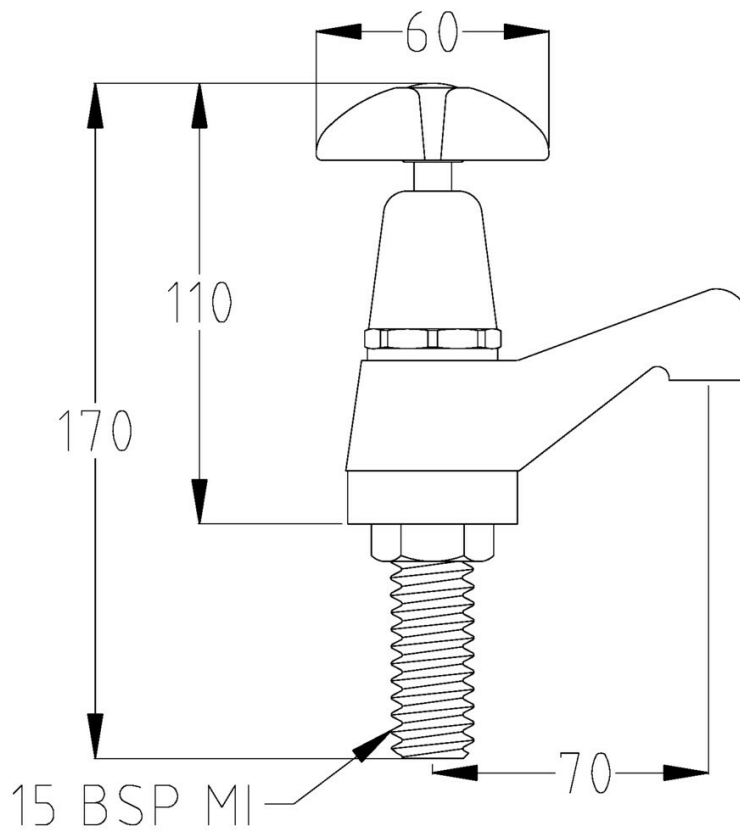
PRODUCT CODE

TW-0031



technical
information

WELS: 6 Star Rating (5.5L/min)
Nominal Flow Rate (LPM): 5.0
WaterMark: AS/NZS 3718 Lic. WMKA0034
Inlet: 1/2" BSP - Male
Outlet: Aerator
Headwork: Jumper valve
Working Pressure Range (kPa): 100 Min - 500 Max
Working Temperature Range (°C): 5 Min - 65 Max
Finish: Chrome



specifying
guide

*When specifying this
product please include:*

- Product Name and Code

VISIT BRITEX.COM.AU TO DOWNLOAD BIM FILES, CAD DRAWINGS AND THE MOST CURRENT PRODUCT LITERATURE.

Last Revised Nov 2023



Due to ongoing research and our commitment to product development, details are subject to change without notice. Details accurate at time of print. Please refer to britex.com.au for the most current product information. Allow +/- 5mm tolerance for dimensions and setouts shown in product literature.

britex.com.au | sales@britex.com.au | A.B.N 83 004 309 737

