

# WALL MOUNTED TIMED FLOW WASH SAFE™ TOP ACTIVATED PUSH BUTTON



## features and benefits

- Complies with NSW Education EFSG Guidelines
- Water saving and vandal resistant
- Clean hygienic design
- Operate at full mains pressure
- Easy to use self-closing mechanism
- Low maintenance and easy to operate
- Smooth round edges to facilitate easy clean and help reduce dirt and bacteria growth

## about

Water efficient, wall mounted push button Wash Safe™ timed flow taps for BRITEX hand washing troughs. Manufactured using high-quality DZR solid brass with less than 0.25% lead content\*

## sample spec. text

Wall Mounted Timed Flow Wash Safe™ Top Activated Push Button- Product Code: TW-0007

\*RED TEXT may denote a **variable** where one option only is to be selected, a **nominal dimension** that needs to be specified, or an **optional feature** that can be removed if not required. Please refer to the back of this page for additional specification details and options.

VISIT [BRITEX.COM.AU](http://BRITEX.COM.AU) TO DOWNLOAD BIM FILES, CAD DRAWINGS AND THE MOST CURRENT PRODUCT LITERATURE.



**MELBOURNE**  
Britex Place, Mirra Crt  
Bundoora VIC 3083  
t (03) 9466 9000  
f (03) 9466 9044

**SYDNEY**  
16 Northumberland Drv  
Taren Point NSW 2229  
t (02) 9531 2100  
f (02) 9531 2800

**PERTH**  
Unit 1/8 Principal Link  
Malaga WA 6090  
t (08) 9249 5464  
f (08) 9248 6893

**BRISBANE**  
19 Manilla St  
East Brisbane QLD 4169  
t (07) 3363 2400  
f (07) 3363 2444

**ADELAIDE**  
The Britex Group  
SA State Office  
t 1300 764 744  
f 1300 784 306

[britex.com.au](http://britex.com.au) | [sales@britex.com.au](mailto:sales@britex.com.au) | A.B.N 83 004 309 737

# WALL MOUNTED TIMED FLOW WASH SAFE™ TOP ACTIVATED PUSH BUTTON

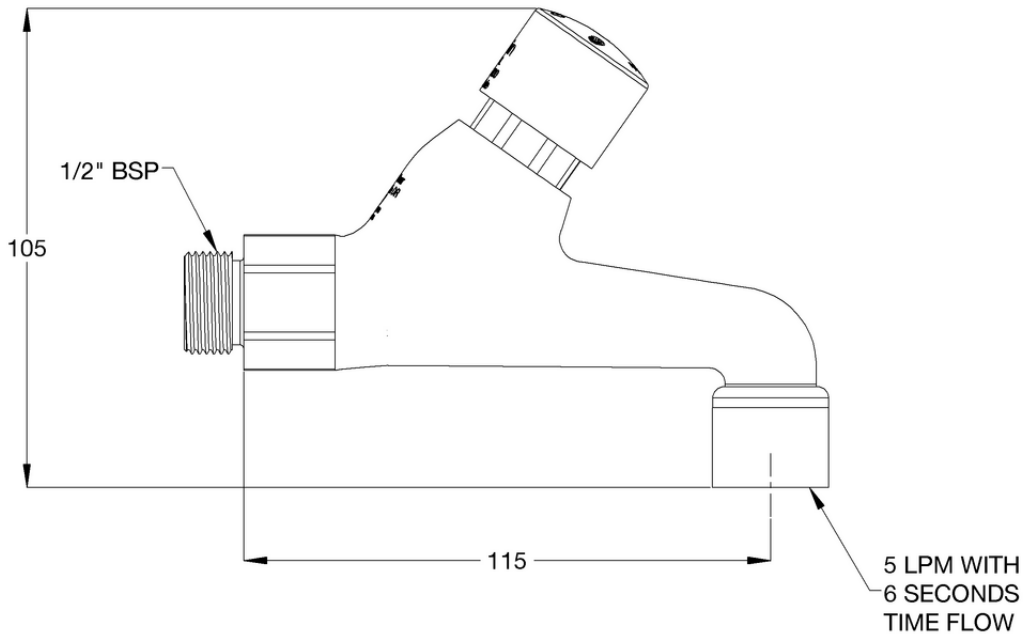
PRODUCT CODE

## TW-0007



technical  
information

**WELS:** 6 Star Rating (4.5L/min)  
**Nominal Flow Rate (LPM):** 4.43  
**WaterMark:** AS/NZS 3718 Lic. WMKA0034  
**Inlet:** 1/2" BSP - Male  
**Outlet:** Aerator  
**Headwork:** Time Flow Cartridge  
**Working Pressure Range (kPa):** 100 Min - 500 Max  
**Working Temperature Range (°C):** 5 Min - 65 Max  
**Construction:** Wash Safe™ DZR Brass\*  
**Finish:** Chrome



specifying  
guide

*When specifying this  
product please include:*

- Product Name and Code

VISIT [BRITEX.COM.AU](http://BRITEX.COM.AU) TO DOWNLOAD BIM FILES, CAD DRAWINGS AND THE MOST CURRENT PRODUCT LITERATURE.

Last Revised Apr 2024



Due to ongoing research and our commitment to product development, details are subject to change without notice. Details accurate at time of print. Please refer to [britex.com.au](http://britex.com.au) for the most current product information. Allow +/- 5mm tolerance for dimensions and setouts shown in product literature.

[britex.com.au](http://britex.com.au) | [sales@britex.com.au](mailto:sales@britex.com.au) | A.B.N 83 004 309 737

