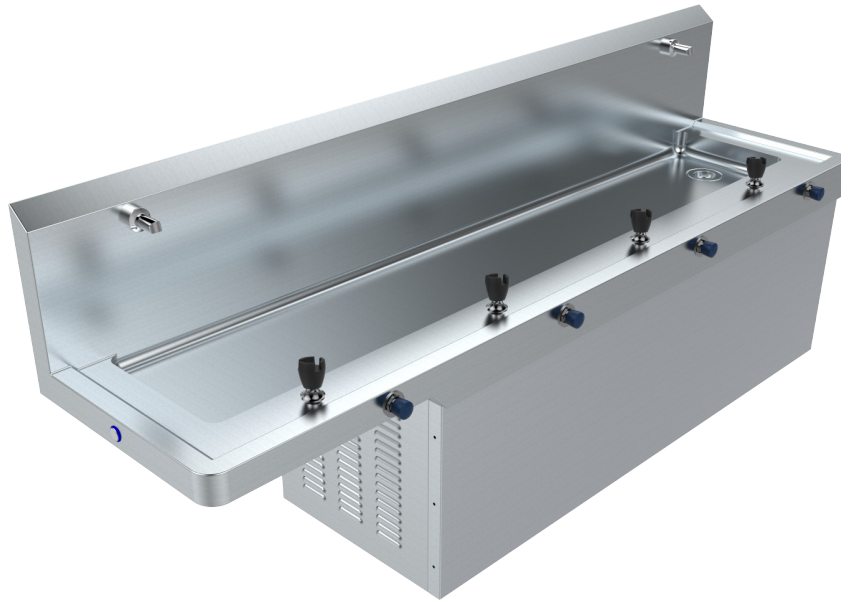


SS ACCESSIBLE DRINKING TROUGH

REFRIGERATED



Most common configuration illustrated (2000mm)

features and benefits

- Drink Safe™ low lead WaterMark & WELS approved tapware
- Optional One or two bottle fillers at either or both ends for easy filling with piezo activation
- Piezo activated and hygiene rinse every 24 hours that provides reassurance of stagnated supply of water
- Pre-plumbed
- Bacteria and sunlight resistant bubblers with rubber compound mouthguards
- Standard and accessible access stations to comply with AS1428
- Radius corners for easy cleaning and added safety
- 50mm waste
- Available in refrigerated model
- Ideal for schools and community centres

about

The BRITEX refrigerated Accessible Drinking Trough is particularly suited to school and university projects. The AS1428 complaint Drinking Troughs include pre-plumbed Drink Safe™ low lead water efficient push button drink bubblers with bacteria and sunlight resistant rubber compound mouth pieces for added safety in the event users are bumped whilst drinking. The fully welded stainless steel troughs, rounded corners both internally and externally ensure easy cleaning and provide added safety in high traffic areas. Accessible drinking stations can be supplied at either the left- or right-hand end.

sample spec. text

BRITEX SS Accessible Refrigerated Drinking Trough - 2000L x 500W x 100D Complete with X No. Drink Safe™ low lead pre-plumbed push button bubblers with safety rubber mouth pieces. 300mm high splashback to rear. With 1 or 2 Wall Bottle filler Left/Right hand end to be AS1428 compliant - Product Code TP6R-SS

*RED TEXT may denote a variable where one option only is to be selected, a nominal dimension that needs to be specified, or an optional feature that can be removed if not required. Please refer to the back of this page for additional specification details and options.

VISIT BRITEX.COM.AU TO DOWNLOAD BIM FILES, CAD DRAWINGS AND THE MOST CURRENT PRODUCT LITERATURE.



MELBOURNE
 Britex Place, Mirra Crt
 Bundoora VIC 3083
 t (03) 9466 9000
 f (03) 9466 9044

SYDNEY
 16 Northumberland Drv
 Taren Point NSW 2229
 t (02) 9531 2100
 f (02) 9531 2800

PERTH
 Unit 1/8 Principal Link
 Malaga WA 6090
 t (08) 9249 5464
 f (08) 9248 6893

BRISBANE
 19 Manilla St
 East Brisbane QLD 4169
 t (07) 3363 2400
 f (07) 3363 2444

ADELAIDE
 The Britex Group
 SA State Office
 t 1300 764 744
 f 1300 784 306

britex.com.au | sales@britex.com.au | A.B.N 83 004 309 737

TROUGHs

#TP6R-SS / SS REFRIGERATED ACCESSIBLE DRINKING TROUGH

SS ACCESSIBLE DRINKING TROUGH

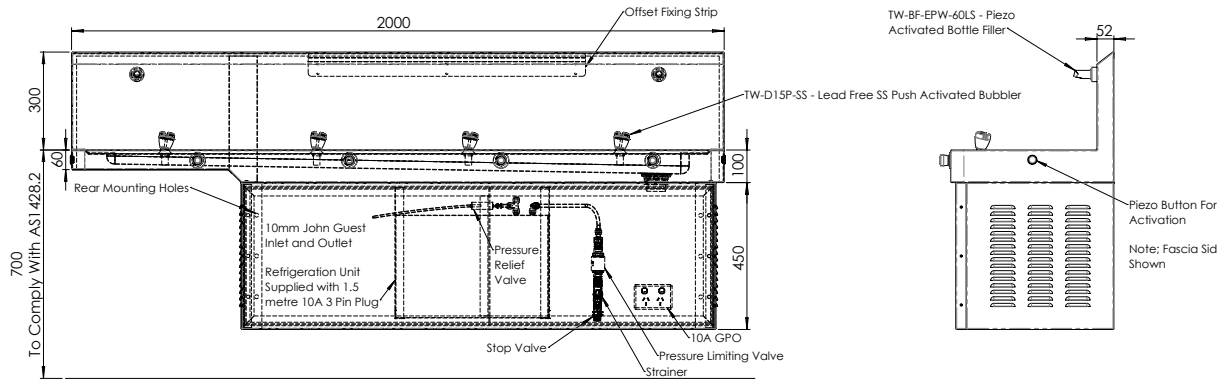
REFRIGERATED

TROUGHS

#TP6R-SS / SS REFRIGERATED ACCESSIBLE DRINKING TROUGH

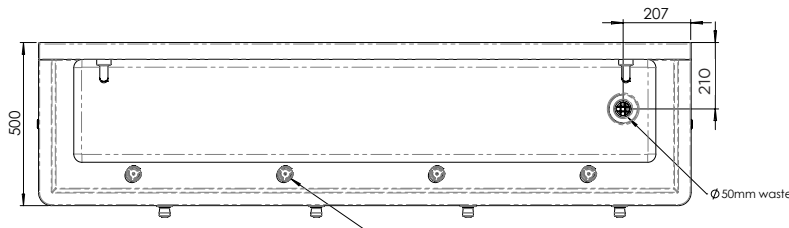
PRODUCT CODE

TP6R-SS



MODEL TP6 Front Elevation

MODEL TP6 Side Elevation



MODEL TP6 Plan

Refrigeration Unit Specs:

- 1/2" M&F BSP connection (supplied)
- Stop valve with 1/2 Female BSP required (not supplied)
- Recommended fitting of dual action filter (not supplied)
- 1.5 metre 3 pin plug (supplied)
- Min. working pressure = 200kPa
- Max. working pressure = 500kPa
- Water Temp: Factory set to 10°C

Common Trough and Tap Combinations:

4 bubblers - 2 bottle fillers - 2000mm

When specifying this product please include:

- Product Name and Code
- Product Dimensions
- Access End (left or right)
- No. of Bubblers
- No. of Bottle Fillers

specifying guide

options

- Custom sizes available
- Accessible access (left- or right-hand side)
- Wall Bottle fillers (300mm Upstand)

VISIT BRITEX.COM.AU TO DOWNLOAD BIM FILES, CAD DRAWINGS AND THE MOST CURRENT PRODUCT LITERATURE.

Last Revised 2022



Due to ongoing research and our commitment to product development, details are subject to change without notice. Details accurate at time of print. Please refer to britex.com.au for the most current product information. Allow +/- 5mm tolerance for dimensions and setouts shown in product literature.



britex.com.au | sales@britex.com.au | A.B.N 83 004 309 737

Quality ISO 9001