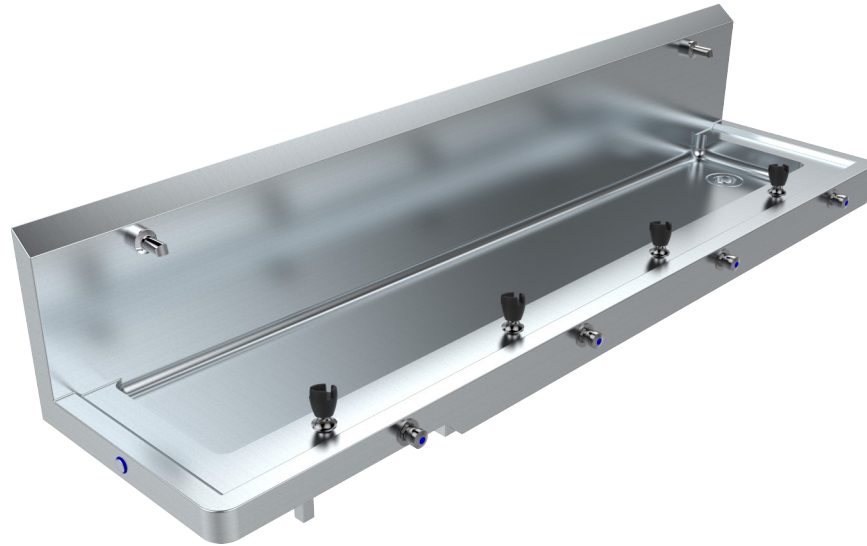


ACCESSIBLE DRINKING TROUGH



Most common configuration illustrated (2000mm)

features and benefits

- Drink Safe™ low lead WaterMark & WELS approved tapware
- Optional One or two bottle fillers at either or both ends for easy filling with piezo activation
- Piezo activated and hygiene rinse every 24 hours that provides reassurance of stagnated supply of water
- Pre-plumbed
- Bacteria and sunlight resistant bubblers with rubber compound mouthguards
- Standard and accessible access stations to comply with AS1428
- Radius corners for easy cleaning and added safety
- 50mm waste
- Available in refrigerated model
- Ideal for schools and community centres

about

The BRITEX Accessible Drinking Trough is particularly suited to school and university projects. The AS1428 complaint Drinking Trough include pre-plumbed Drink Safe™ low lead water efficient push button drink bubblers with bacteria and sunlight resistant rubber compound mouth pieces for added safety in the event users are bumped whilst drinking. The fully welded stainless steel troughs, rounded corners both internally and externally ensure easy cleaning and provide added safety in high traffic areas. Disabled access drinking stations can be supplied at either the left or right hand end. Also available in a refrigerated models - refer to TP6R.

sample spec. text

BRITEX Accessible Drinking Trough - XXXXL x 500W x 100D Complete with X No. Drink Safe™ low lead pre-plumbed push button bubblers with safety rubber mouth pieces. 300mm high splashback to rear. With 1/2 Wall Mounted Bottle filler Left/Right hand end to be AS1428 compliant - Product Code TP6

*RED TEXT may denote a **variable** where one option only is to be selected, a **nominal dimension** that needs to be specified, or an **optional feature** that can be removed if not required. Please refer to the back of this page for additional specification details and options.

VISIT BRITEX.COM.AU TO DOWNLOAD BIM FILES, CAD DRAWINGS AND THE MOST CURRENT PRODUCT LITERATURE.



MELBOURNE
Britex Place, Mirra Crt
Bundoora VIC 3083
t (03) 9466 9000
f (03) 9466 9044

SYDNEY
16 Northumberland Drv
Taren Point NSW 2229
t (02) 9531 2100
f (02) 9531 2800

PERTH
Unit 1/8 Principal Link
Malaga WA 6090
t (08) 9249 5464
f (08) 9248 6893

BRISBANE
19 Manilla St
East Brisbane QLD 4169
t (07) 3363 2400
f (07) 3363 2444

ADELAIDE
The Britex Group
SA State Office
t 1300 764 744
f 1300 784 306

britex.com.au | sales@britex.com.au | A.B.N 83 004 309 737

ACCESSIBLE DRINKING TROUGH

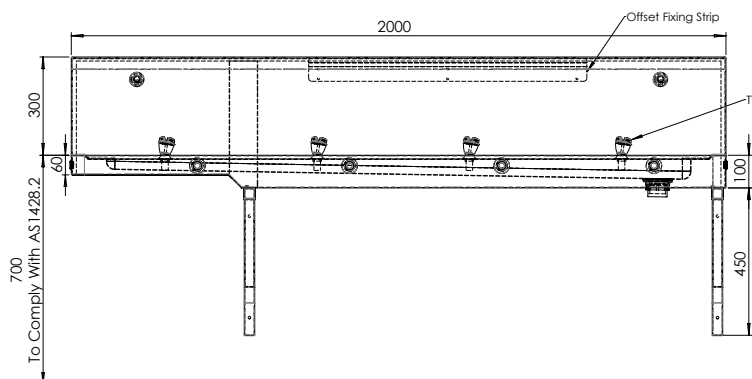
PRODUCT CODE

TP6

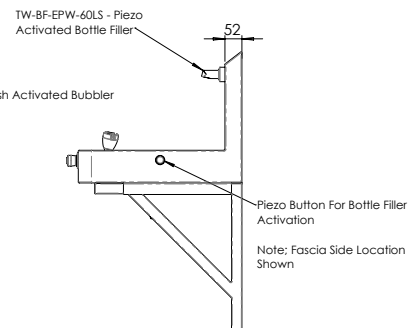
4.01

TROUGHS

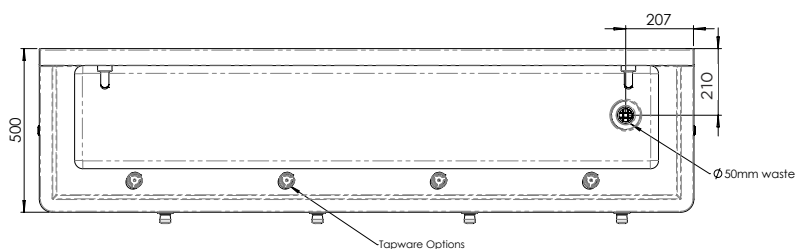
#TP6/ ACCESSIBLE DRINKING TROUGH



MODEL TP6 Front Elevation



MODEL TP6 Side Elevation



MODEL TP6 Plan

Common Trough and Tap Combinations:

4 bubblers – 2 bottle Fillers - 2000mm

Suggested Mounting Height 700mm

specifying guide

When specifying this product please include:

- Product Name and Code
- Product Dimensions
- Access End (left or right)
- No. of Bubblers
- No. of Bottle Fillers

options

- Stainless Steel Tapware
- Refrigerated model (see Refrigerated Drinking Trough - TP6R)
- Custom sizes available
- Accessible access (left- or right-hand side)
- Wall Bottle fillers (300mm Upstand)
- Hob bottle fillers

VISIT BRITEX.COM.AU TO DOWNLOAD BIM FILES, CAD DRAWINGS AND THE MOST CURRENT PRODUCT LITERATURE.

Last Revised 2022



Due to ongoing research and our commitment to product development, details are subject to change without notice. Details accurate at time of print. Please refer to britex.com.au for the most current product information. Allow +/- 5mm tolerance for dimensions and setouts shown in product literature.

britex.com.au | info@britex.com.au | A.B.N 83 004 309 737

