

Scan QR code
to view online



features and benefits

- Economical trough with extended splashback
- Commercial grade 304 S.S.
- Fully welded construction
- Made to custom lengths
- 50mm waste & wall brackets supplied
- Left or right hand waste outlet
- Suited to workshops, public amenities and portable buildings

about

The *BRITEX Stainless Steel Pattern Trough No.3* is an economical trough that incorporates a 150mm blade upstand to the rear, allowing taps to be mounted on an easy to clean surface. Made from 1.2mm grade 304 stainless steel and possessing square external corners it is available in custom lengths with either left or right hand waste position. Troughs are supplied with heavy wall brackets and front legs are available if additional support is required.

sample spec. text

BRITEX 1.2mm grade 304 S.S. Pattern No.3 Trough - XXXXL x 380W x 150D. Complete with 150mm blade rear upstand, Left/Right hand 50mm waste outlet and wall mounting brackets - Product Code TP3

NB Please refer to reverse page for tapware and trough options

*RED TEXT may denote a **variable** where one option only is to be selected, a **nominal dimension** that needs to be specified, or an **optional feature** that can be removed if not required. Please refer to the back of this page for additional specification details and options.

VISIT BRITEX.COM.AU TO DOWNLOAD BIM FILES, CAD DRAWINGS AND THE MOST CURRENT PRODUCT LITERATURE.

PATTERN TROUGH NO.3

PRODUCT CODE

TP3

HOW TO SPECIFY: Pattern Trough No.3

Sample Specification Code

A B C D E F
TP3 - 3 - TW-9104 - 1500 - WB - R

= Pattern Trough No. 3 with 3 Timed Flow Bib Taps, 1500mm long, Brackets only, Right Hand Waste

Specification Key

A = Product Code	E = Support Options
B = Tap Qty (if required)	WB : Brackets only
C = Tap Code (if required) (see below for suggested tapware options)	BL : Brackets and Legs
D = Trough Length (mm)	F = Waste Outlet Position
	L : Left Hand Waste
	R : Right Hand Waste

Standard Trough and Tap Combinations:

1200mm - 3 taps 1500mm - 3 taps 1800mm - 4 taps
 2400mm - 6 taps

Suggested Tapware:

(see Tapware Section: 11 for complete range of options)



TW-9104
Timed Flow Bib Tap



TW-9203
Deluxe Timed Flow Bib Tap



TW-0007
Top Activated Timed Flow Bib Tap



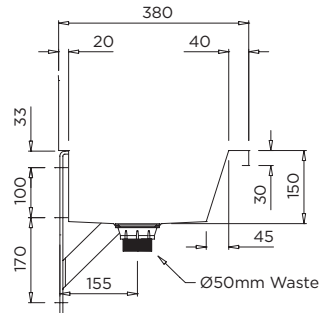
TW-SET-01
Wall Mounted Tap Set



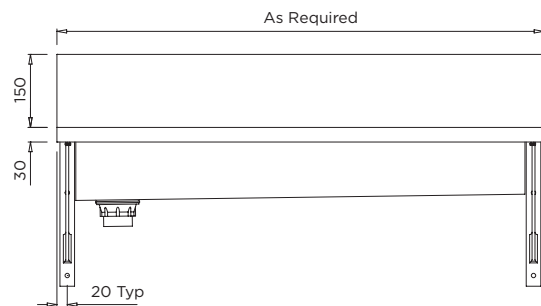
TW-0048
Top Lever Timed Flow Bib Tap



TW-9106
Front Lever Timed Flow Bib Tap

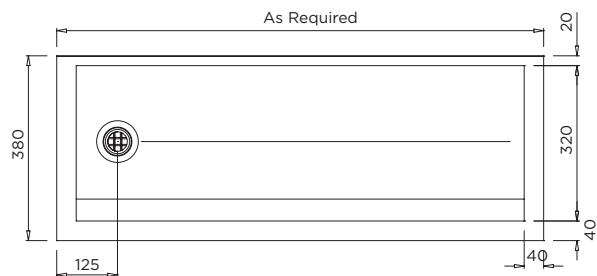


MODEL TP3 Section



Troughs over 2000mm long are supplied with a centre support bracket

MODEL TP3 Front Elevation



MODEL TP3 Plan

When specifying this product please include:

- Product **Name** and **Code**
- Product **Dimensions**
- **Tapware** details (if required)
- Position of **Waste Outlet** (left/right)

specifying guide

options

- Custom sizes
- Upstand to side walls
- Tap holes
- Support legs
- Left or right hand waste outlet

VISIT BRITEX.COM.AU TO DOWNLOAD BIM FILES, CAD DRAWINGS AND THE MOST CURRENT PRODUCT LITERATURE.



Due to ongoing research and our commitment to product development, details are subject to change without notice. Details accurate at time of print. Please refer to britex.com.au for the most current product information. Allow +/- 5mm tolerance for dimensions and setouts shown in product literature.

britex.com.au | info@britex.com.au | A.B.N 83 004 309 737

